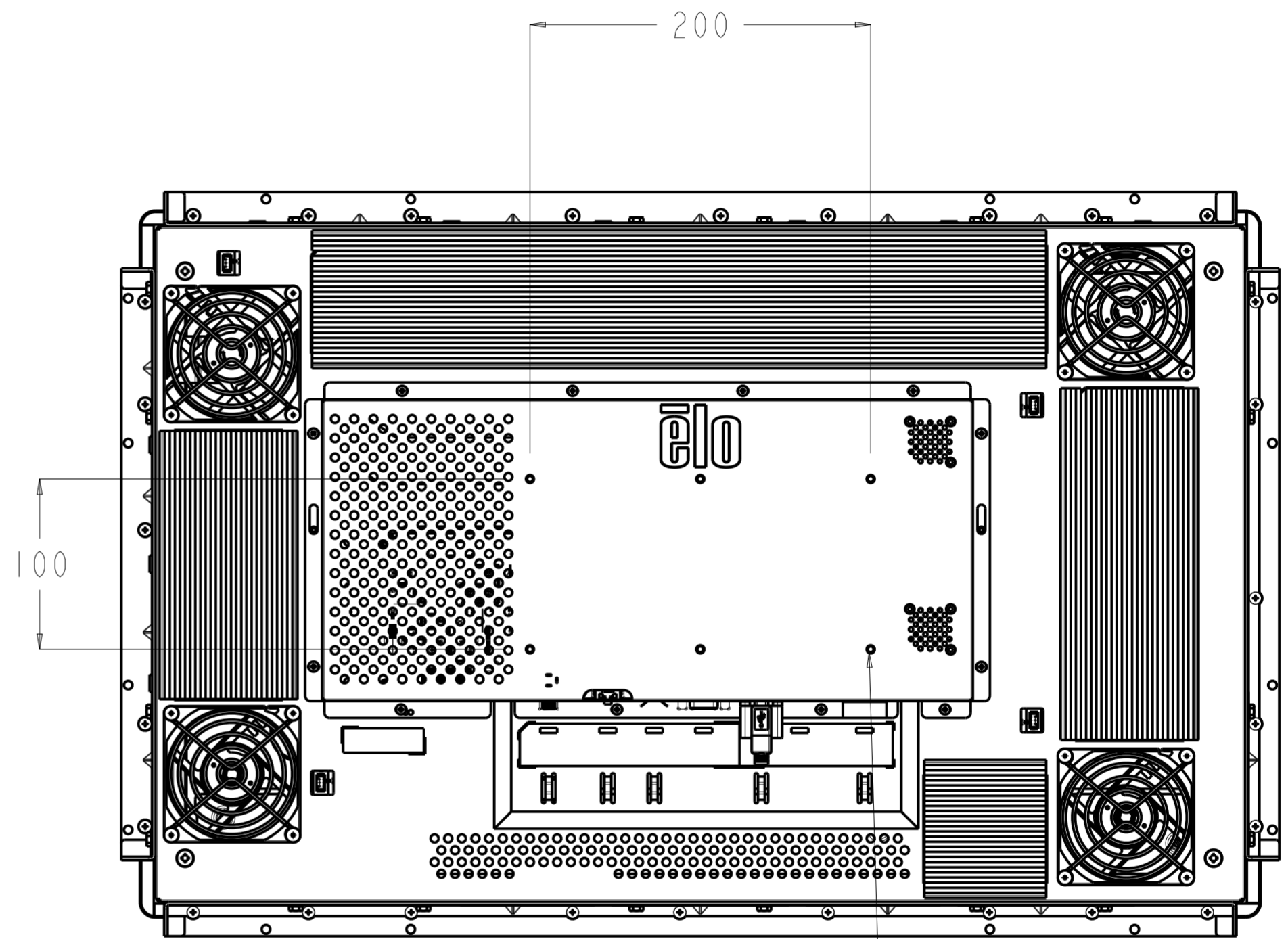
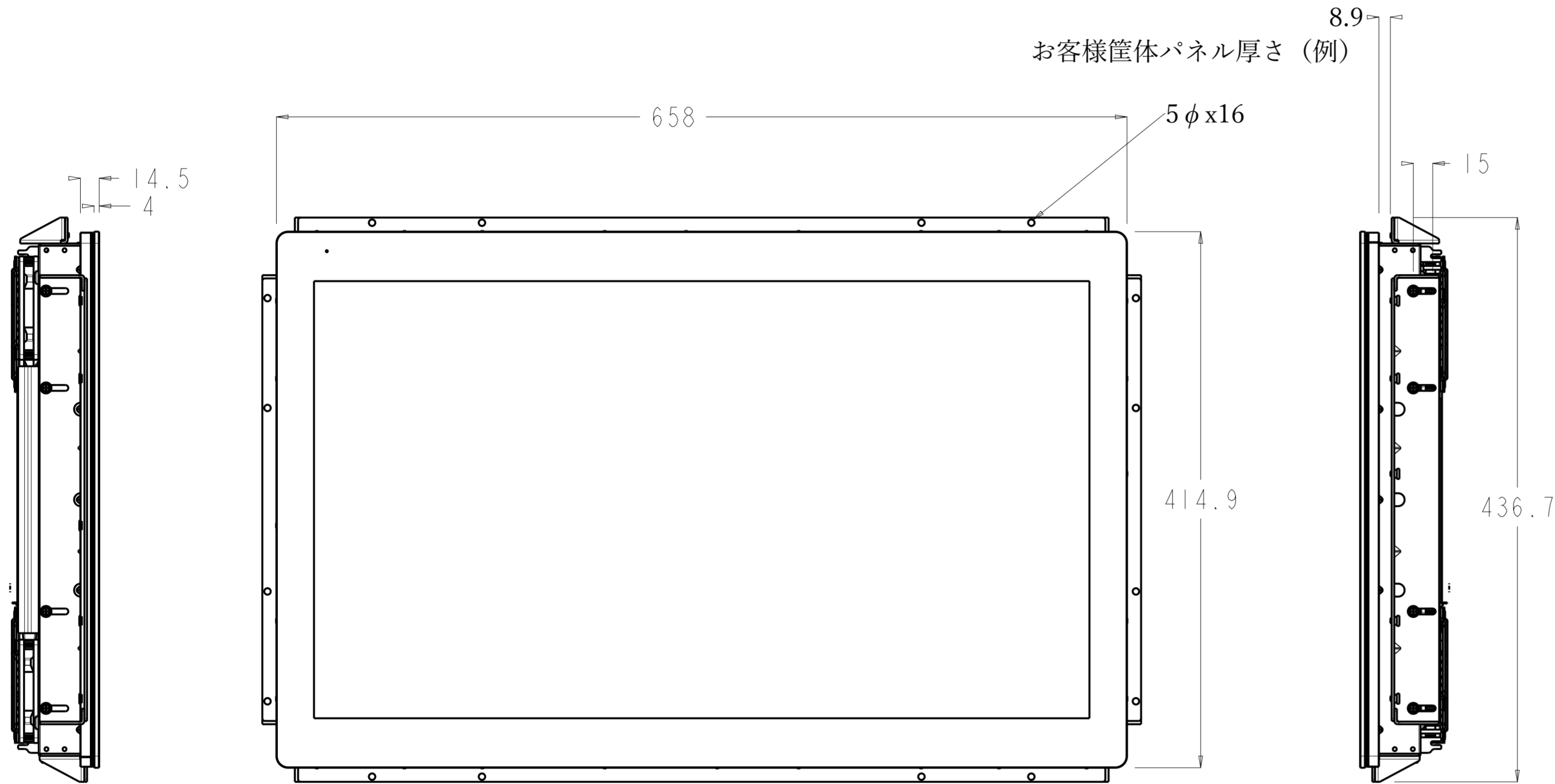
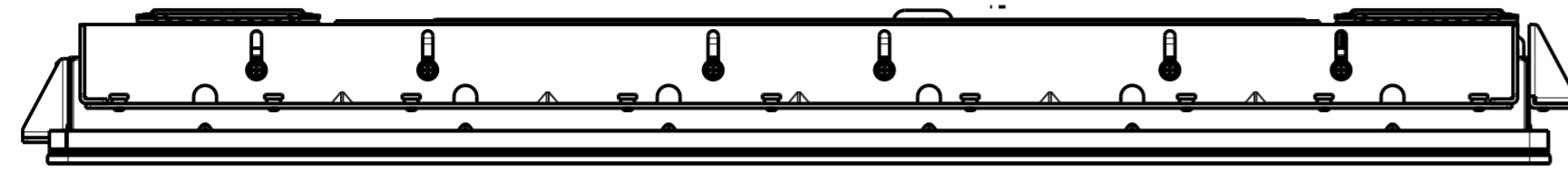
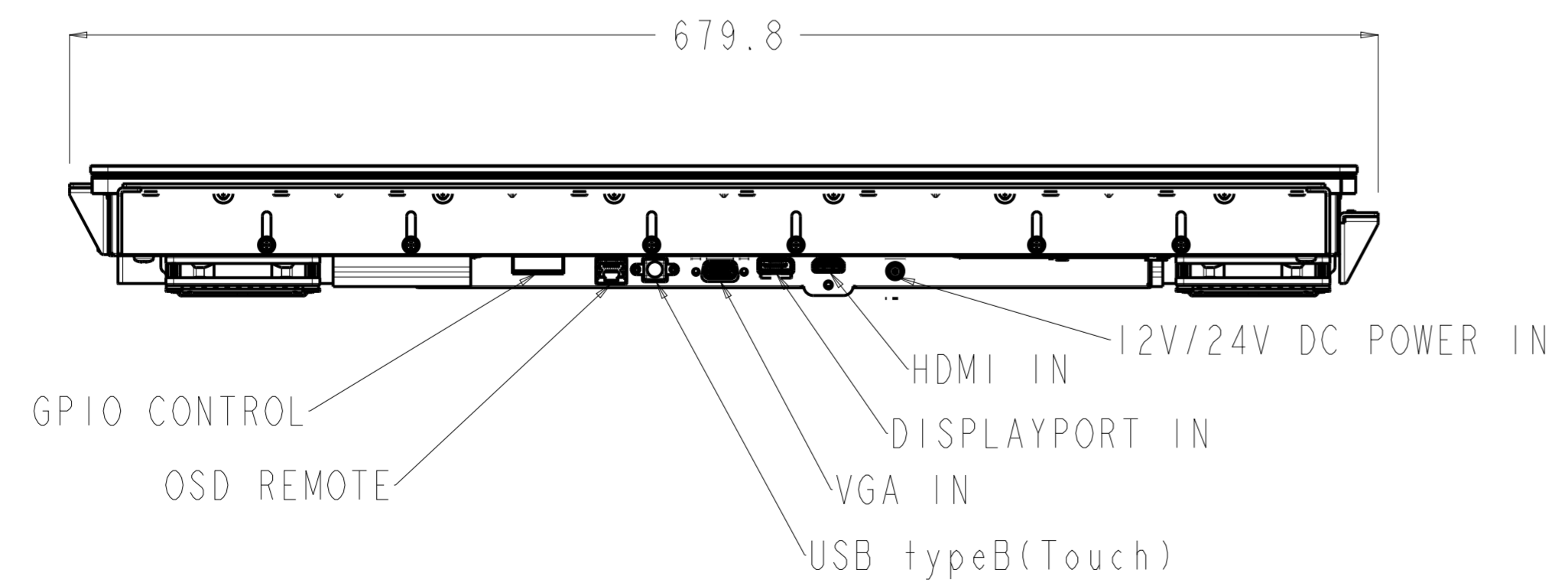


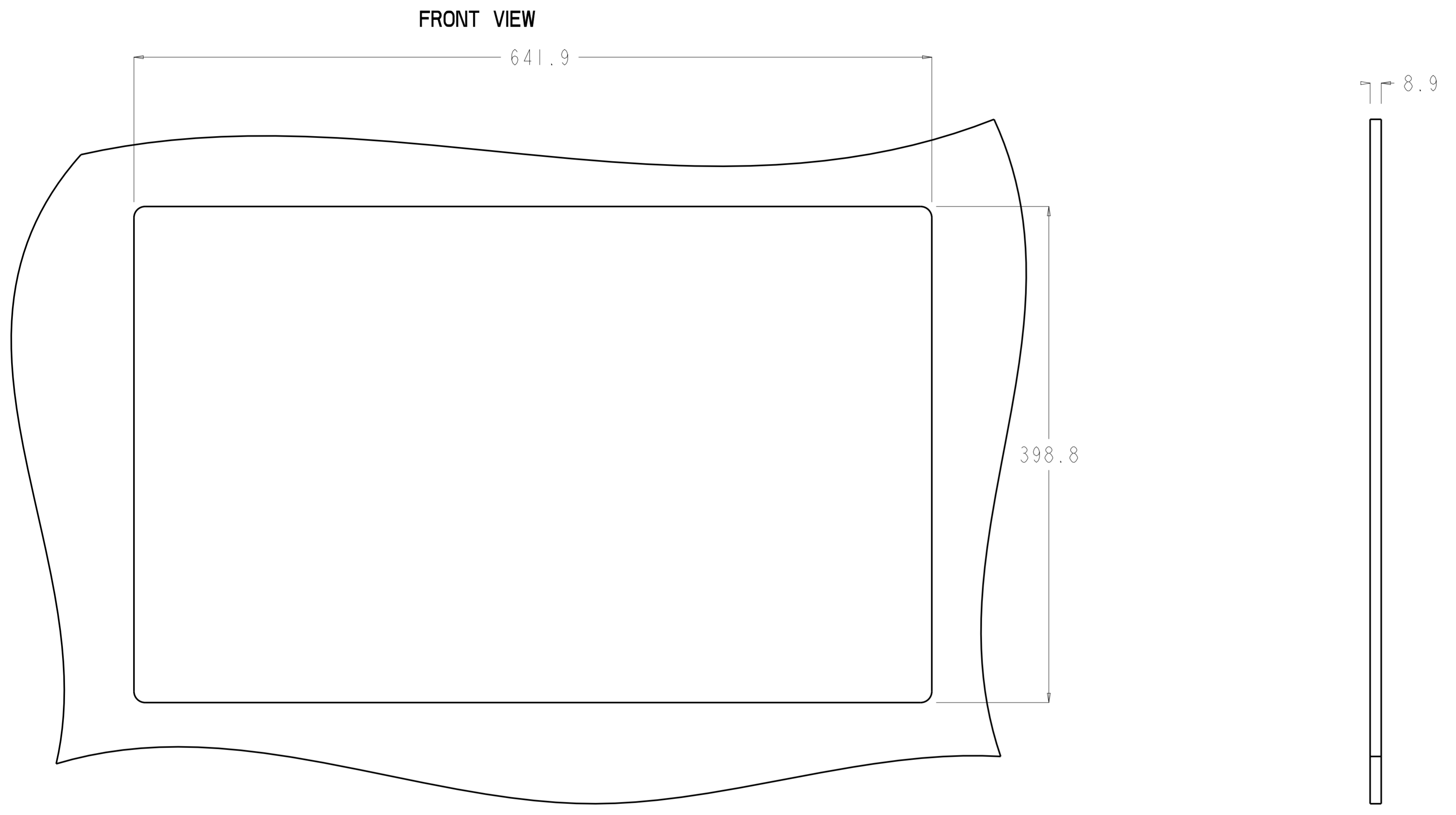
With Bracket



200x100 MOUNTING
PER VESA MIS-E
M4x0.7 THREADS
MAX SCREW DEPTH = 8mm
(MEASURED FROM VESA PLANE)



CUSTOMER RECOMMENDED MOUNTING GEOMETRY



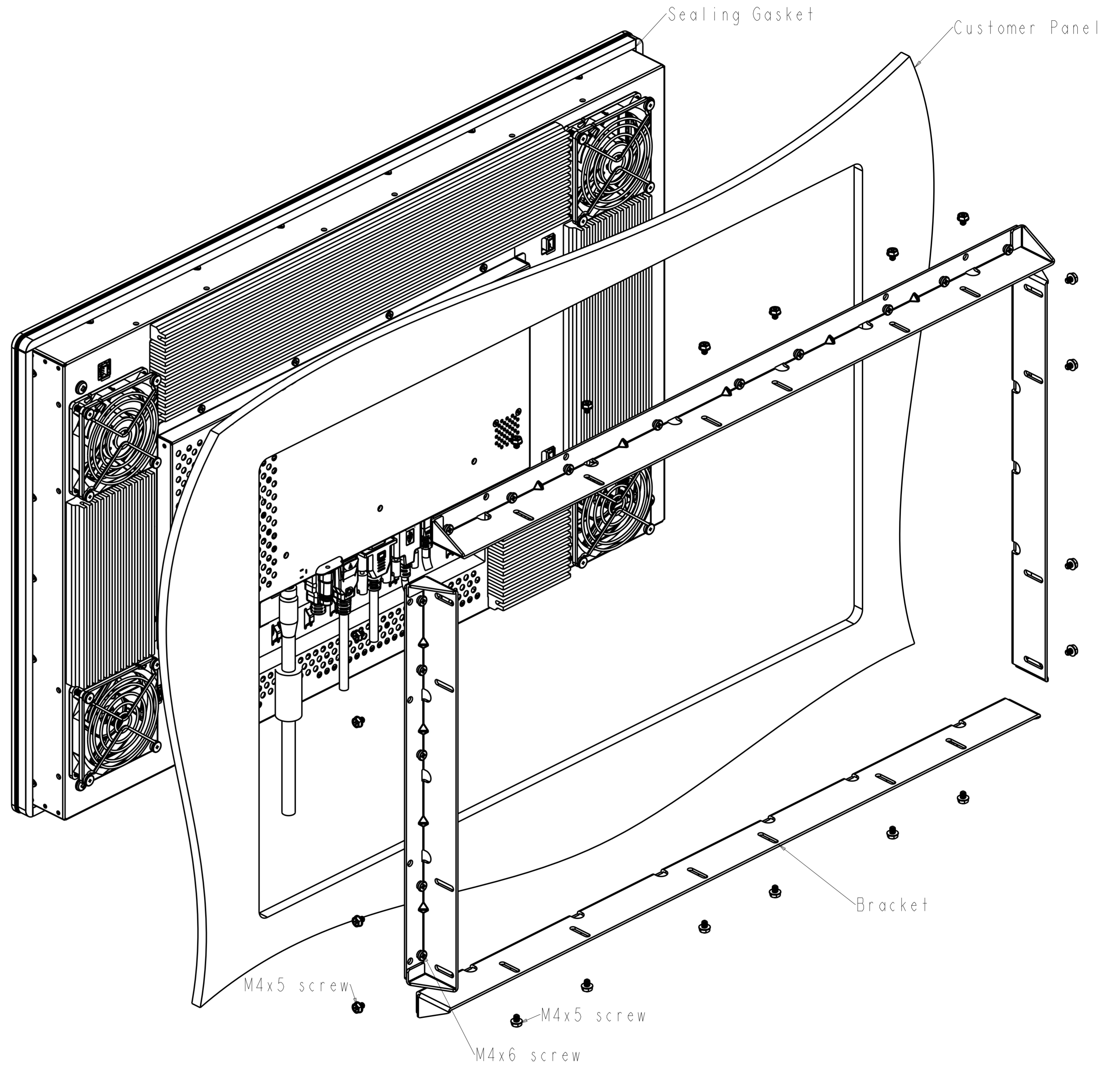
INSTALLATION NOTES

1. PLACE THE DISPLAY INTO THE ENCLOSURE PANEL OPENING (SEE SHEET 4 FOR DETAILS OF OPENING DIMENSIONS).

2. ATTACH FLUSH MOUNTING BRACKETS ON ALL FOUR SIDES OF DISPLAY WITH HEX HEAD M4x5 BRACKET SCREWS TO SECURE THE DISPLAY TO THE ENCLOSURE PANEL.

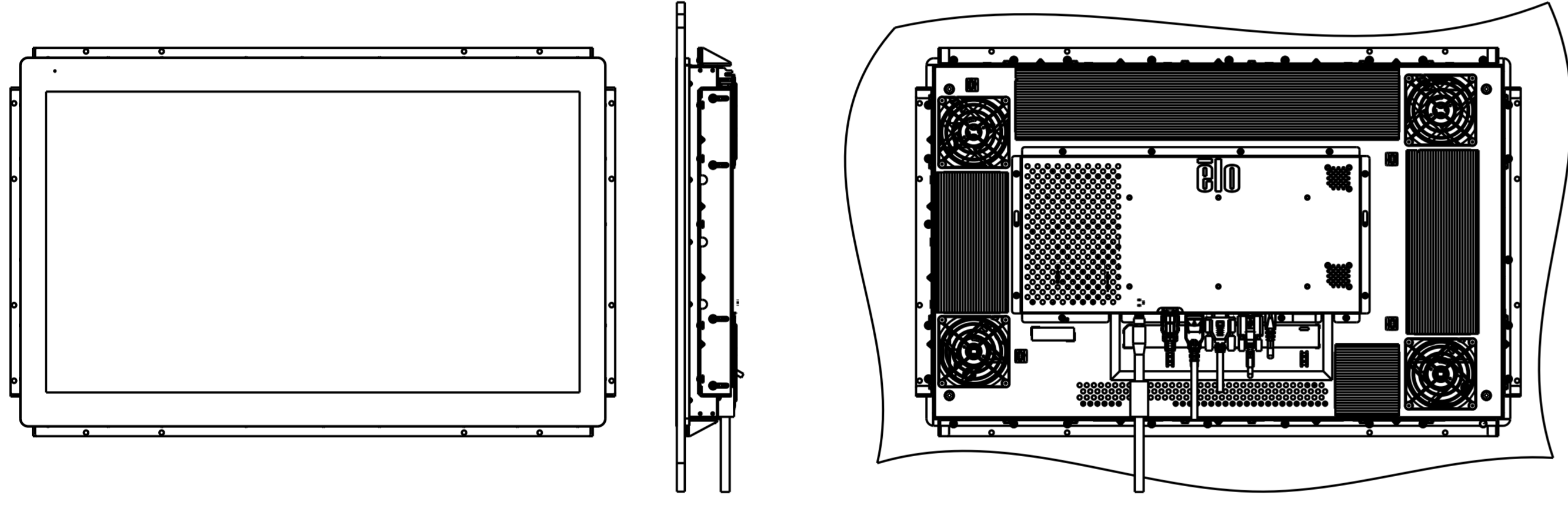
ADJUST THE DISPLAY AS CLOSE AS POSSIBLE TO FLUSH WITH THE FRONT OF THE ENCLOSURE PANEL BEFORE TIGHTENING M4 BRACKET SCREWS. A SOCKET WRENCH IS RECOMMENDED IF CLEARANCE IS LIMITED.

3. TIGHTEN THE M4x6 CLAMPING SCREWS ON THE MOUNTING BRACKETS TO BRING THE TOUCHSCREEN GLASS COMPLETELY FLUSH WITH THE ENCLOSURE PANEL, COMPRESSING THE SEALING GASKET, AND ENSURING A WATERTIGHT SEAL TO IP66 AND NEMA4X STANDARDS.



RECOMMENDED MOUNTING ORIENTATION

LANDSCAPE



PORTRAIT

