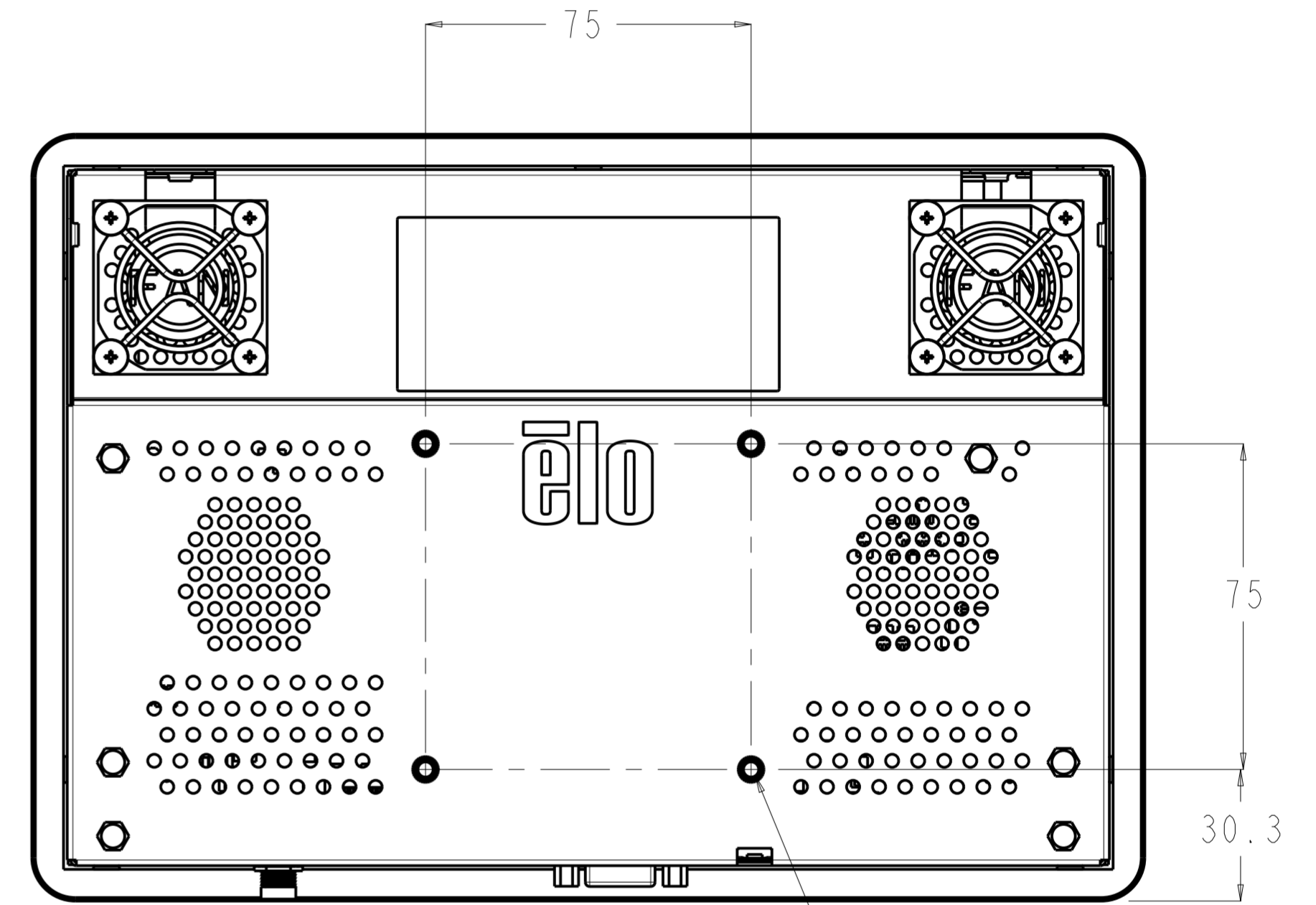
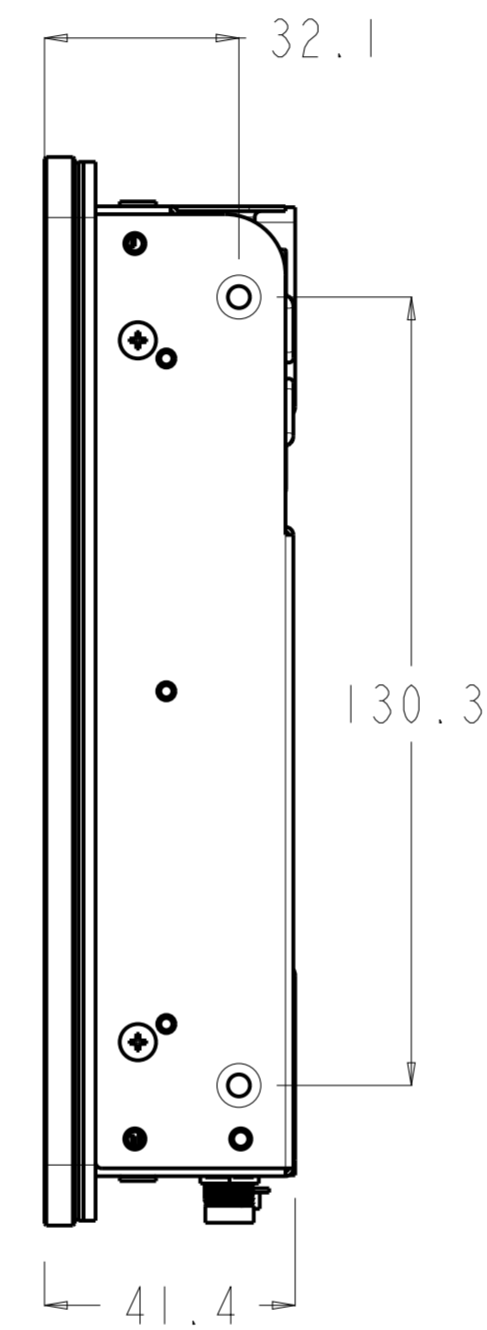
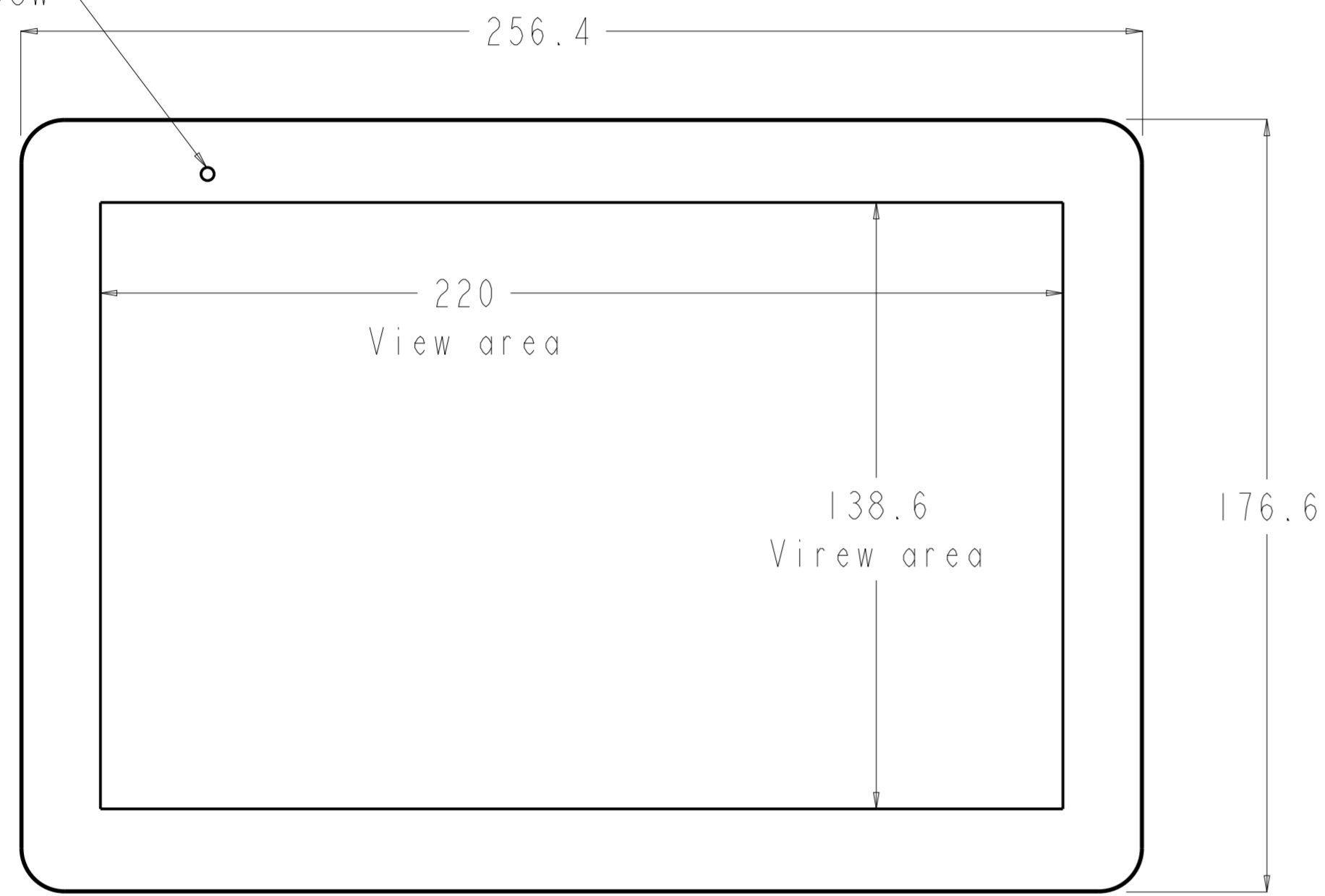
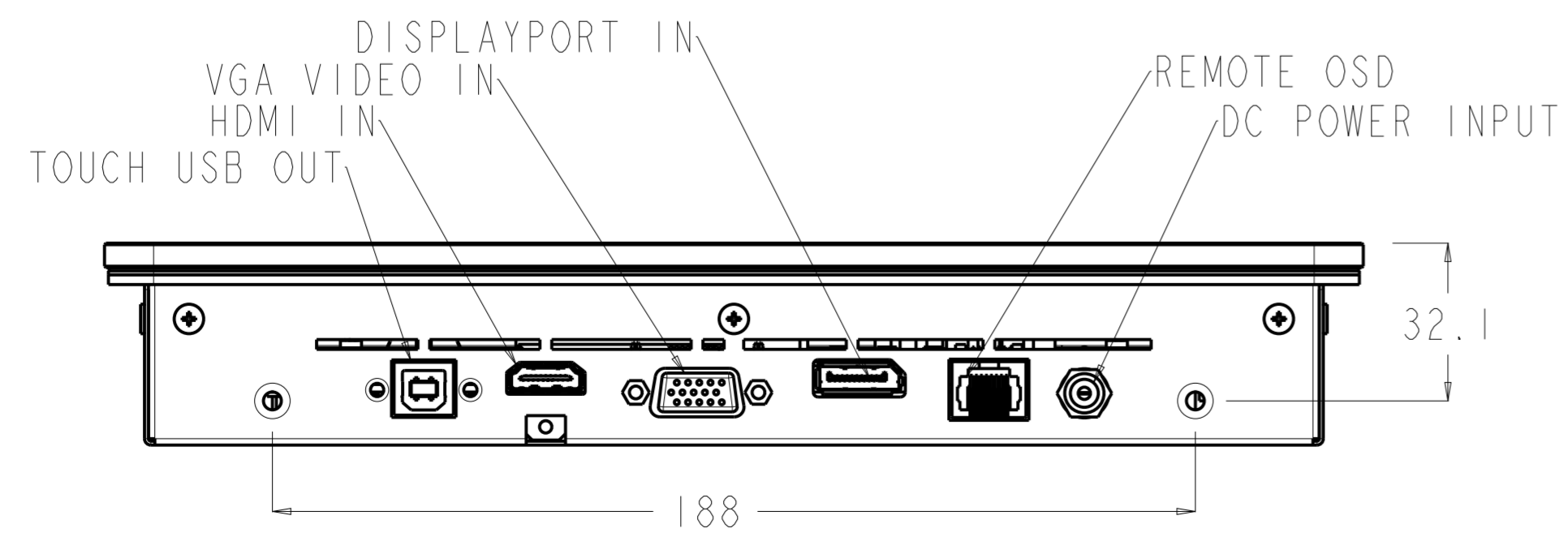


AMBIENT SENSOR WINDOW



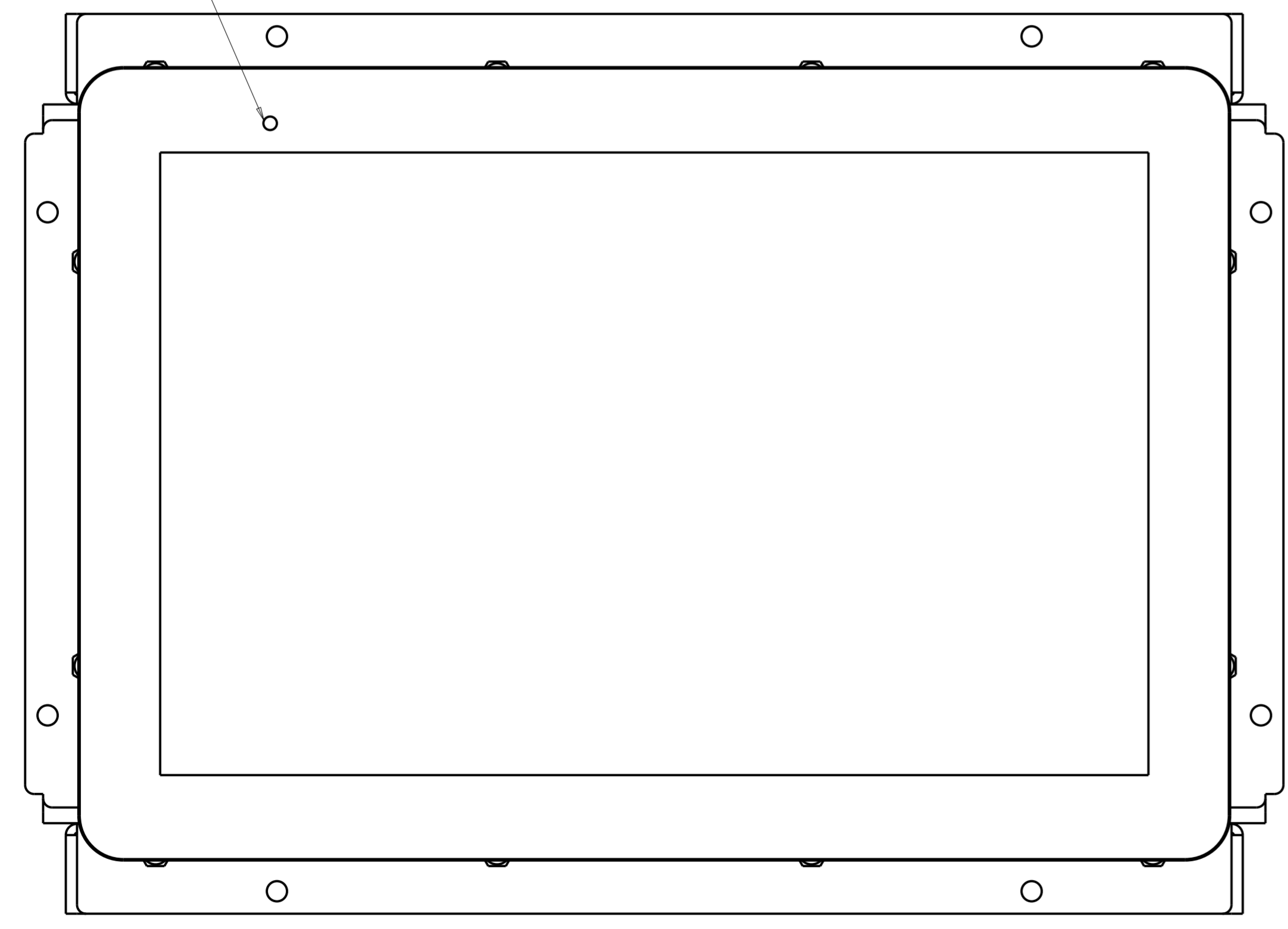
VESA MOUNT
M4 THREAD, X4
MAX SCREW DEPTH = 7MM
FROM MOUNTING SURFACE



RECOMMENDED MOUNTING ORIENTATION
NOTE: THE AMBIENT LIGHT SENSOR MAY NOT FUNCTION
PROPERLY IF THE PRODUCT IS NOT MOUNTED AS RECOMMENDED.

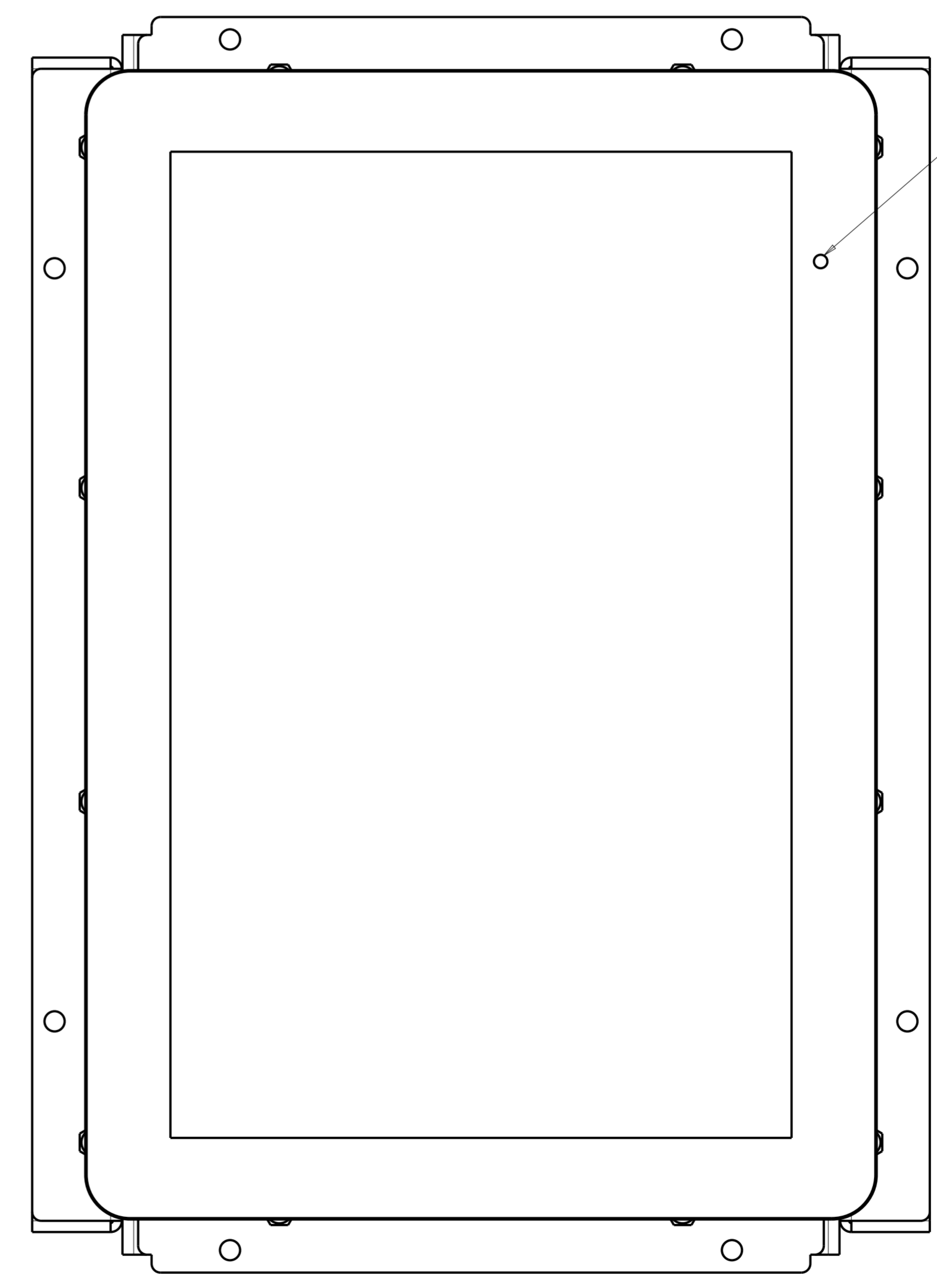
AMBIENT SENSOR

LANDSCAPE



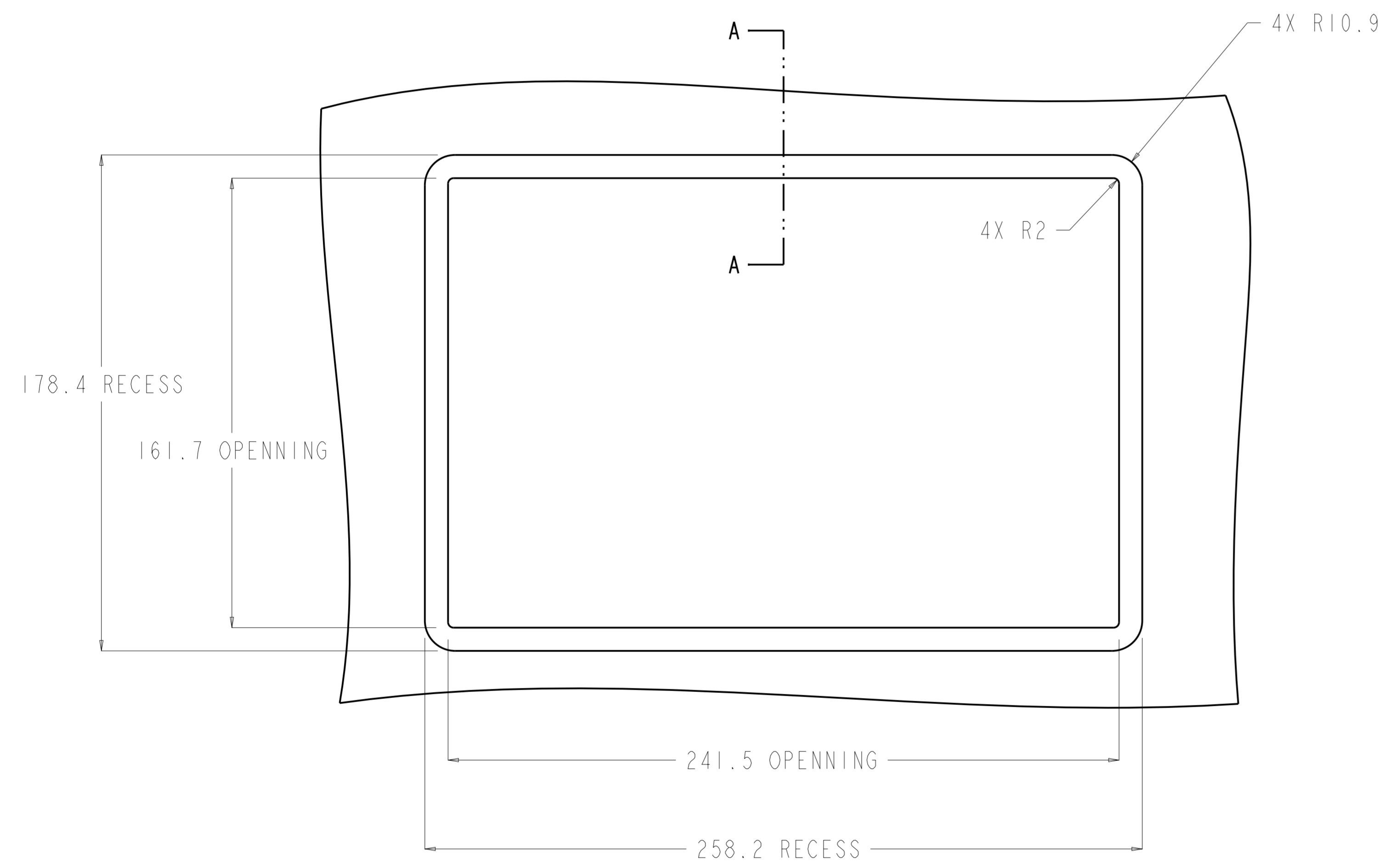
PORTRAIT

AMBIENT SENSOR

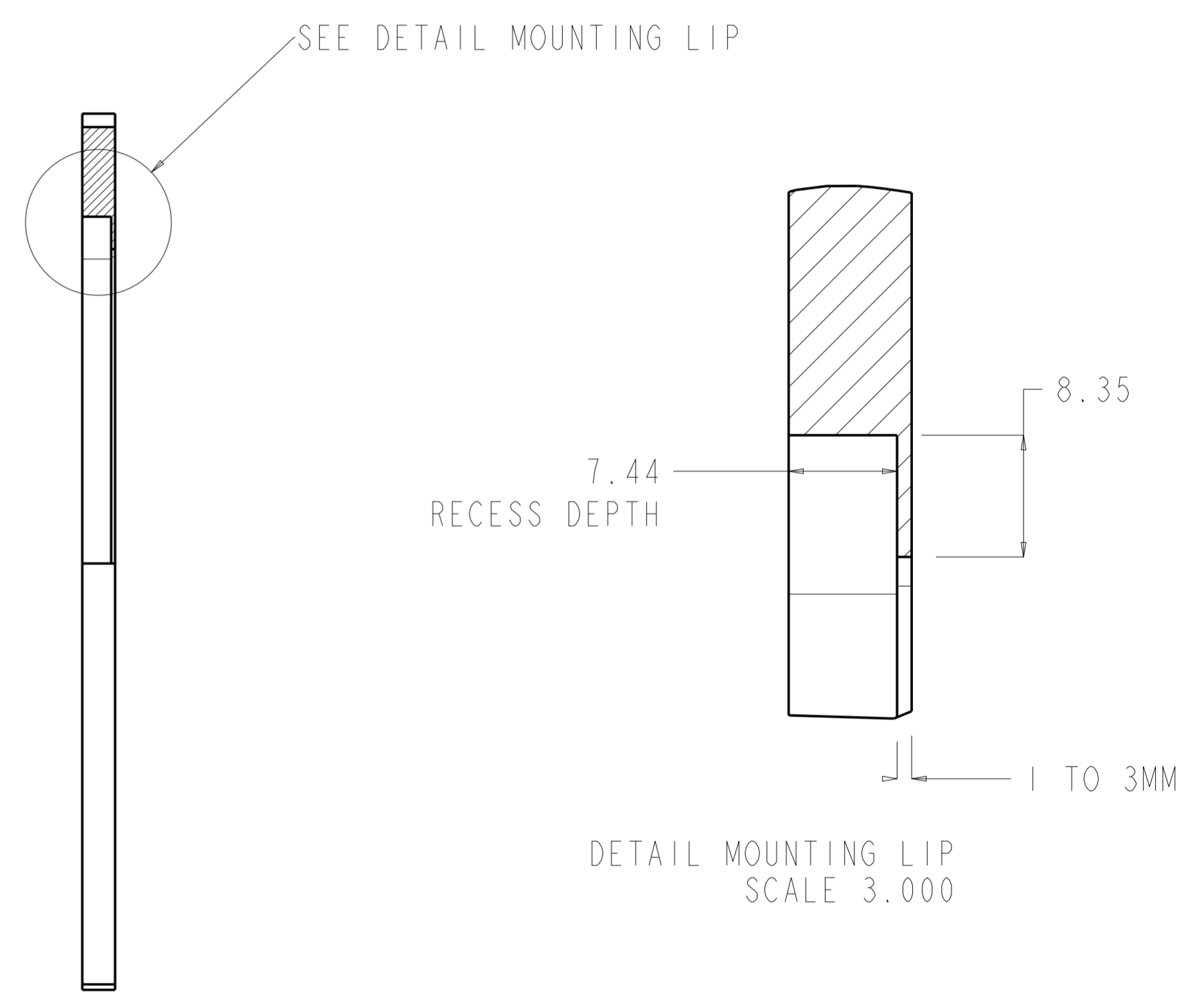


CUSTOMER RECOMMENDED MOUNTING GEOMETRY

FRONT VIEW



SIDE VIEW

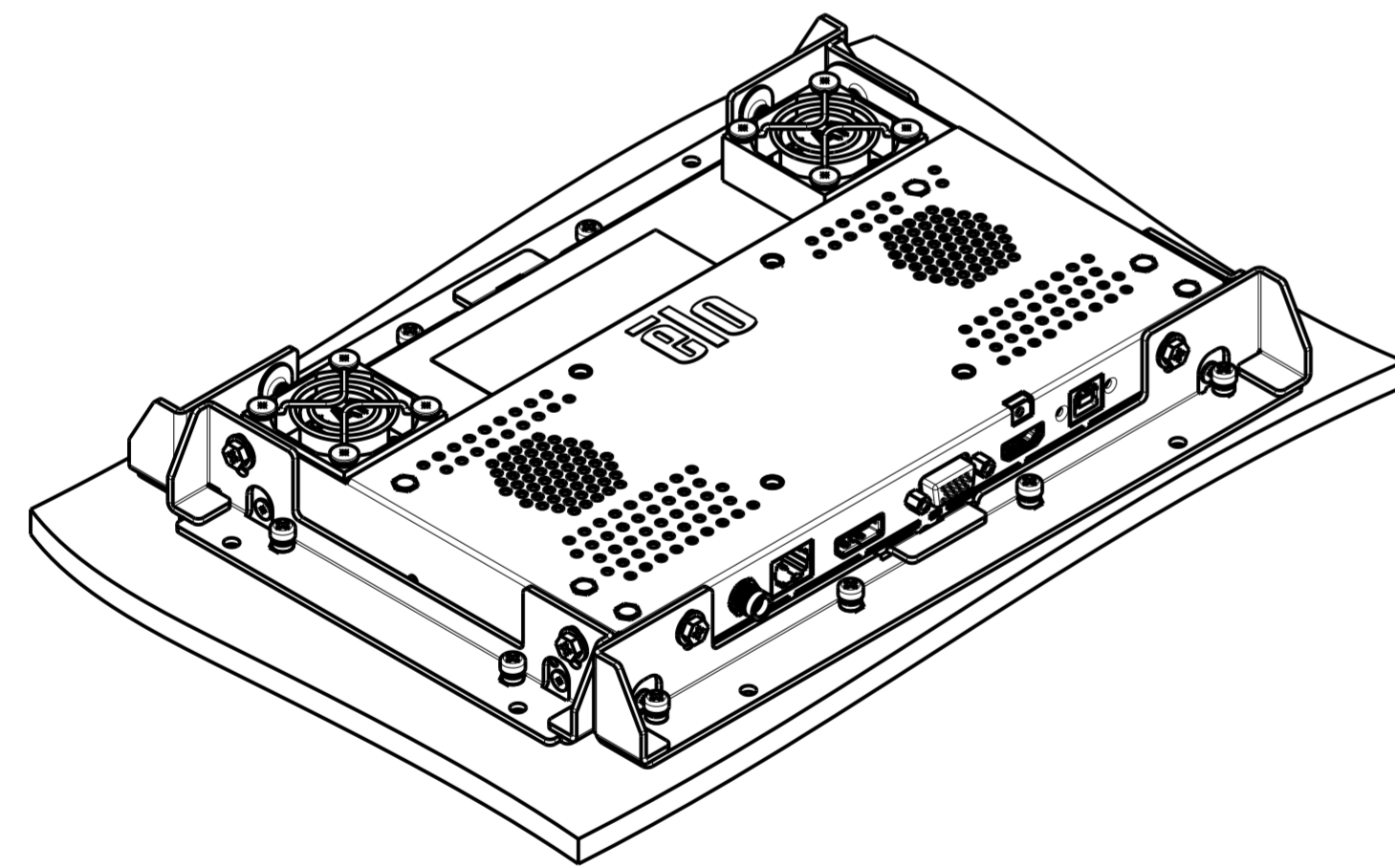


SECTION A-A

DETAIL MOUNTING LIP
SCALE 3.000

FLUSH-MOUNT BRACKET INSTALLATION NOTES:

1. PLACE THE DISPLAY INTO THE ENCLOSURE PANEL OPENING (SEE SHEET 3 FOR DETAILS OF OPENING DIMENSIONS).
2. ATTACH FLUSH MOUNTING BRACKETS ON ALL FOUR SIDES OF DISPLAY WITH HEX HEAD M4x5 BRACKET SCREWS TO SECURE THE DISPLAY TO THE ENCLOSURE PANEL. ADJUST THE DISPLAY AS CLOSE AS POSSIBLE TO FLUSH WITH THE FRONT OF THE ENCLSOURE PANEL BEFORE TIGHTENING M4 BRACKET SCREWS. A SOCKET WRENCH IS RECOMMENDED IF CLEARANCE IS LIMITED.
3. TIGHTNE THE M4x6 CLAMPING SCREWS ON THE MOUNTING BRACKETS TO BRING THE TOUCHSCREEN GLASS COMPLETELY FLUSH WITH THE ENCLOSURE PANEL, COMPRESSING THE SEALING



CABLE ROUTING CLEARANCE NOTES:

AT THE IO OUT PORTS SIDE, PLEASE RESERVE ENOUGH ROOM FOR CALBES ROUTING ACCORDING TO CABLE TYPE/DIMENSION.

