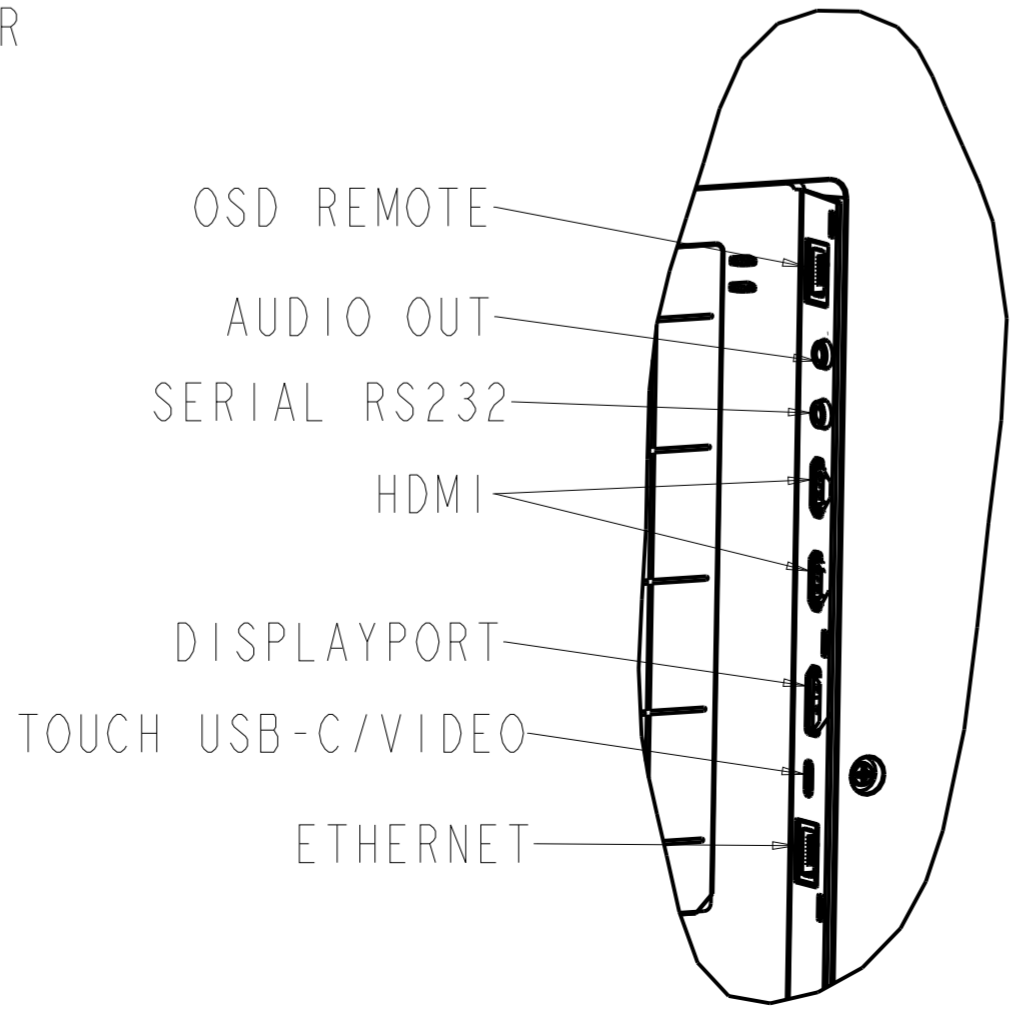
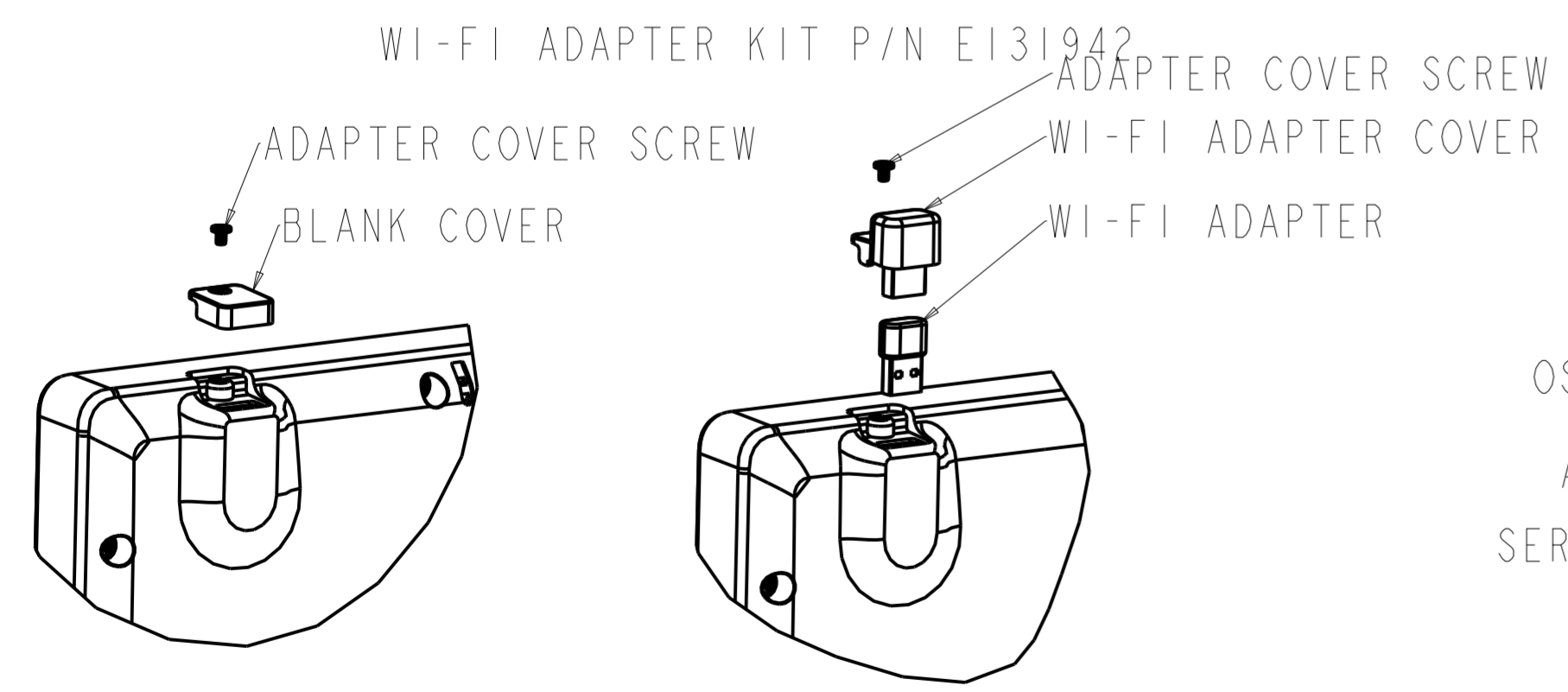
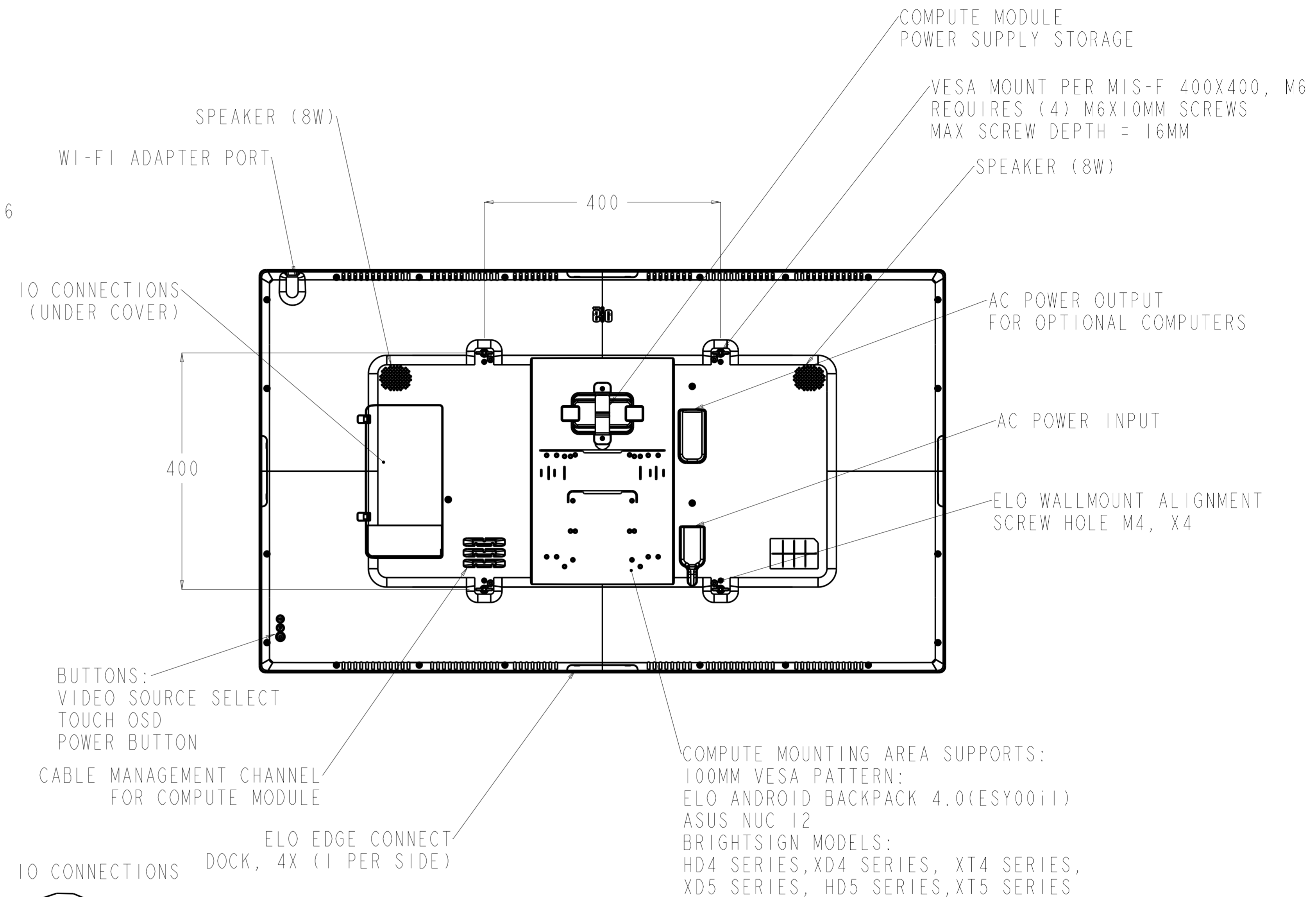
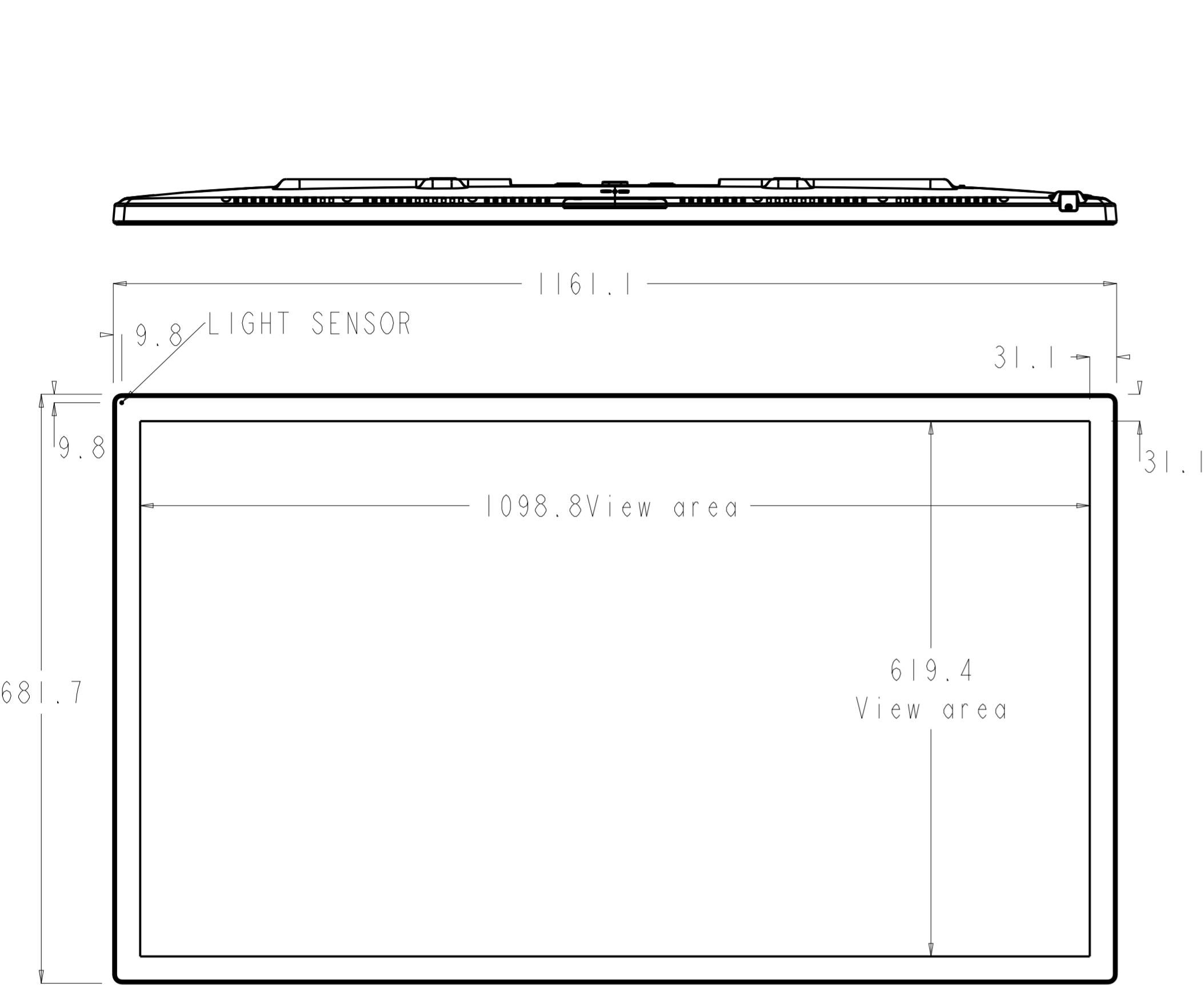
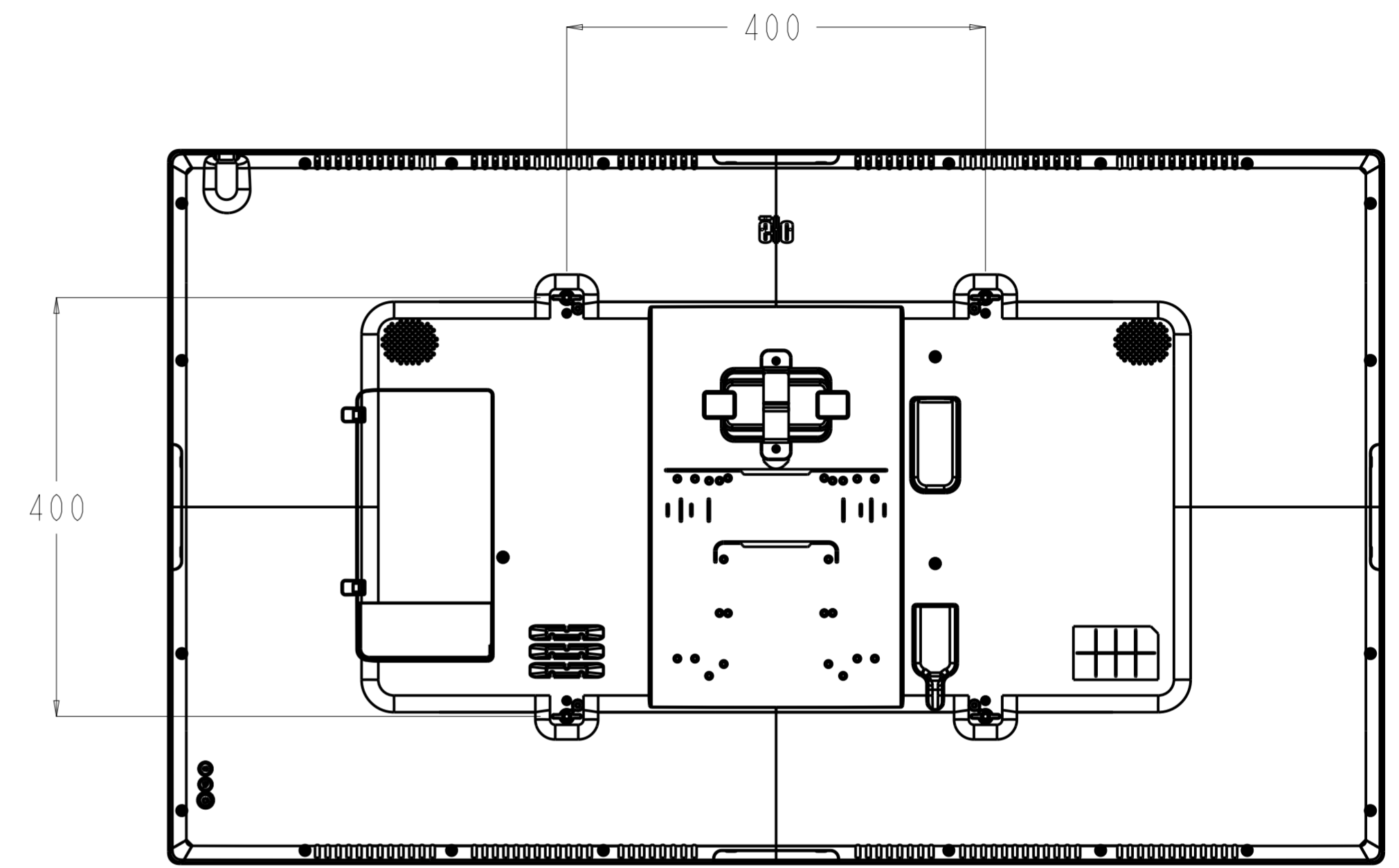
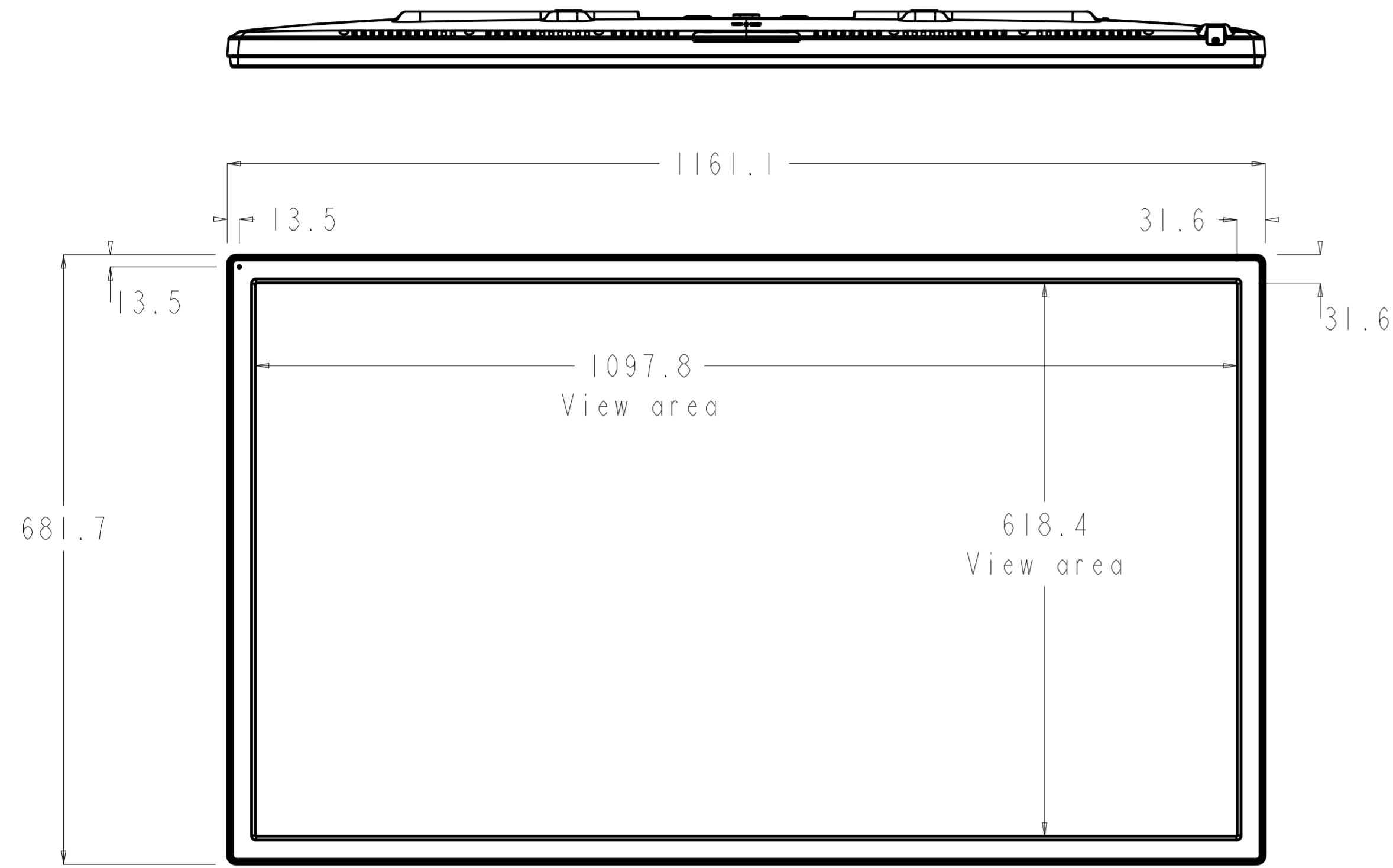


Pcap mode I (ET5054L-2)

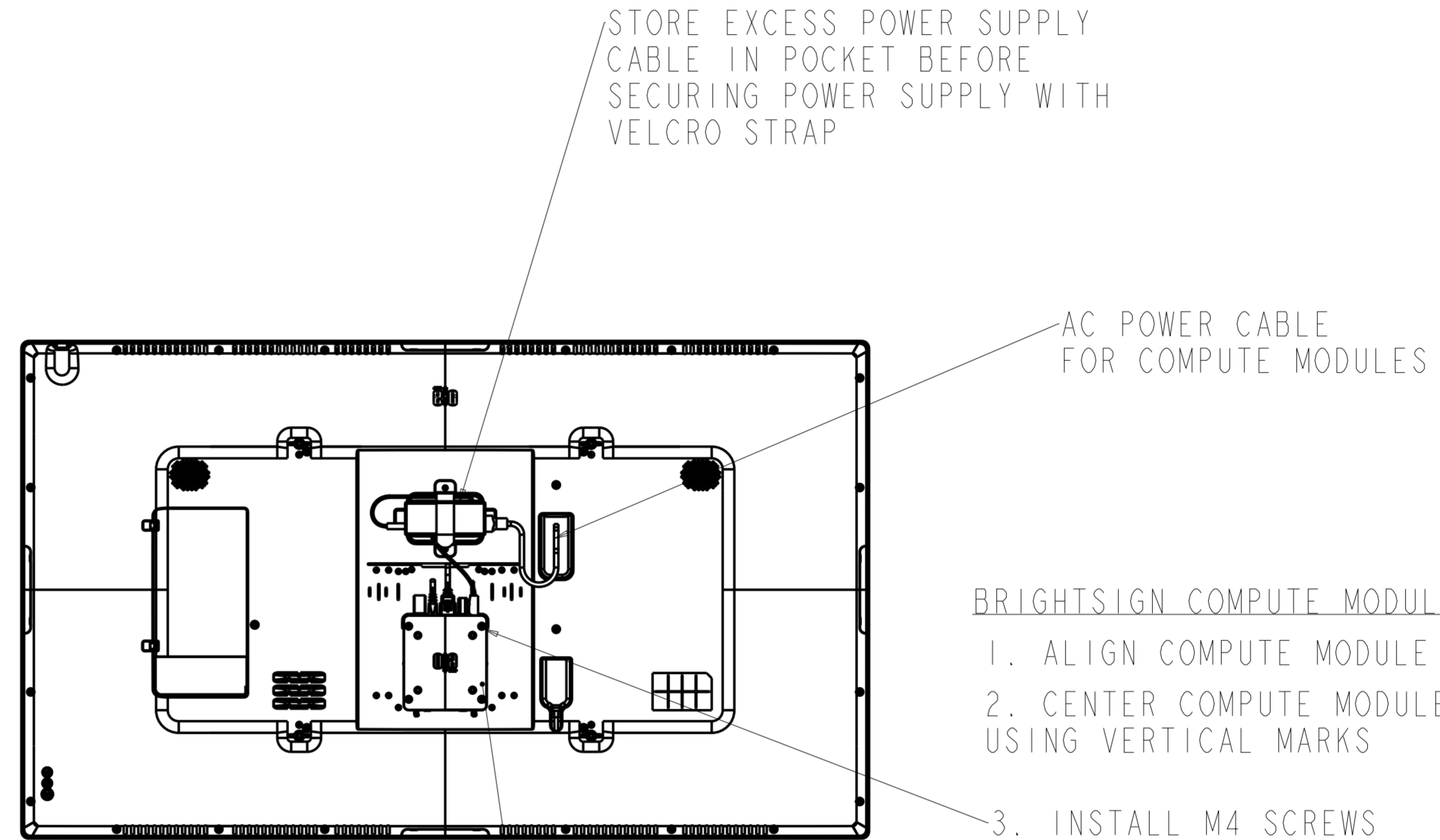
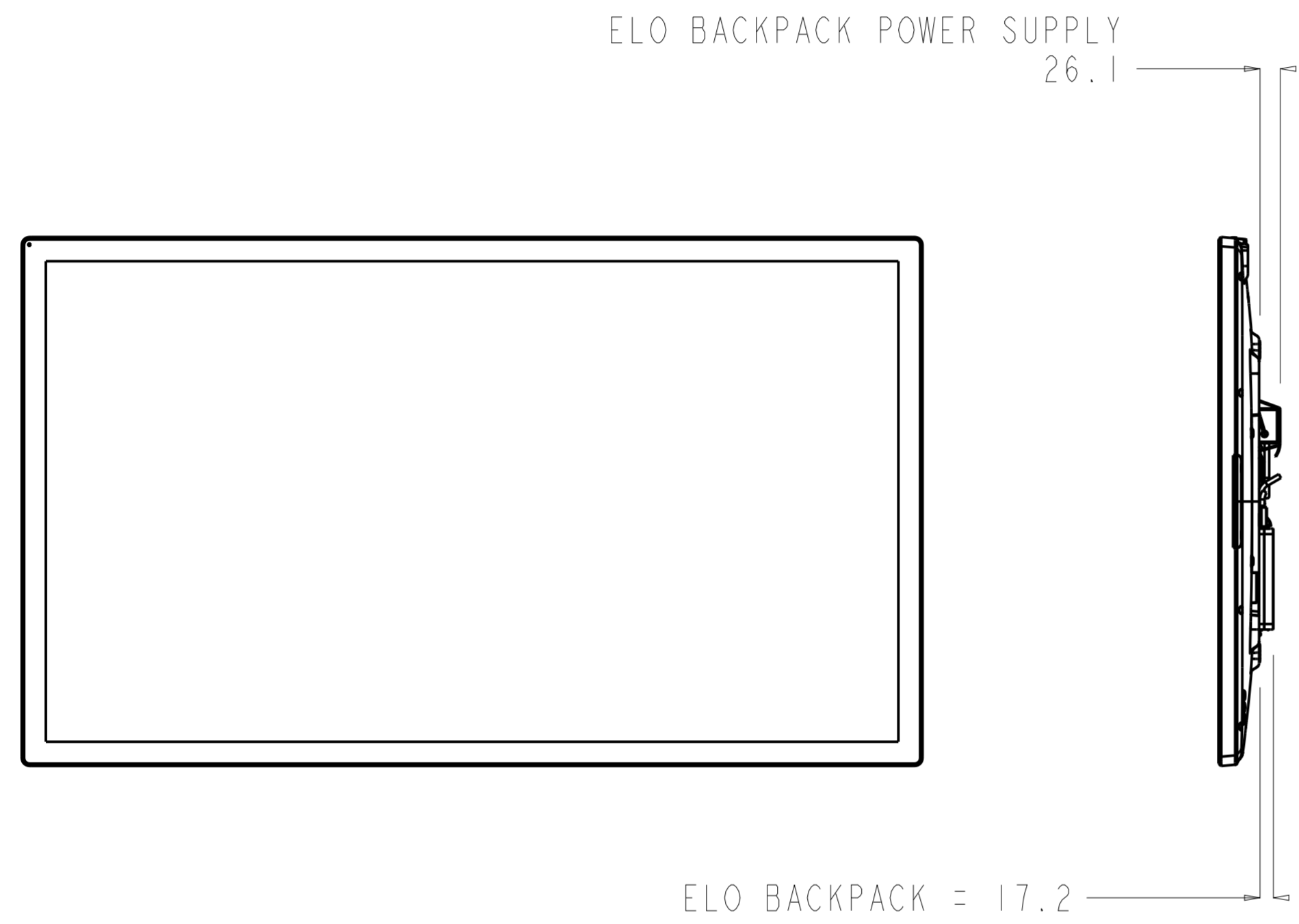


DIMENSIONS ARE IN MILLIMETERS

IR mode I (ET5054L-9)



COMPUTE MODULE MOUNTING



BRIGHTSIGN COMPUTE MODULE MOUNTING INSTRUCTIONS:

1. ALIGN COMPUTE MODULE EDGE WITH HORIZONTAL MARKING
2. CENTER COMPUTE MODULE USING VERTICAL MARKS
3. INSTALL M4 SCREWS THROUGH DEVICE (MAX SCREW DEPTH = 5MM)
4. CONNECT POWER AND IO CABLES FROM COMPUTER TO 5054L

OPTIONAL ELO BACKPACK (NOT INCLUDED)
USING 100 VESA PATTERN
(SCREW LENGTH = M4X30MM FLAT-HEAD)