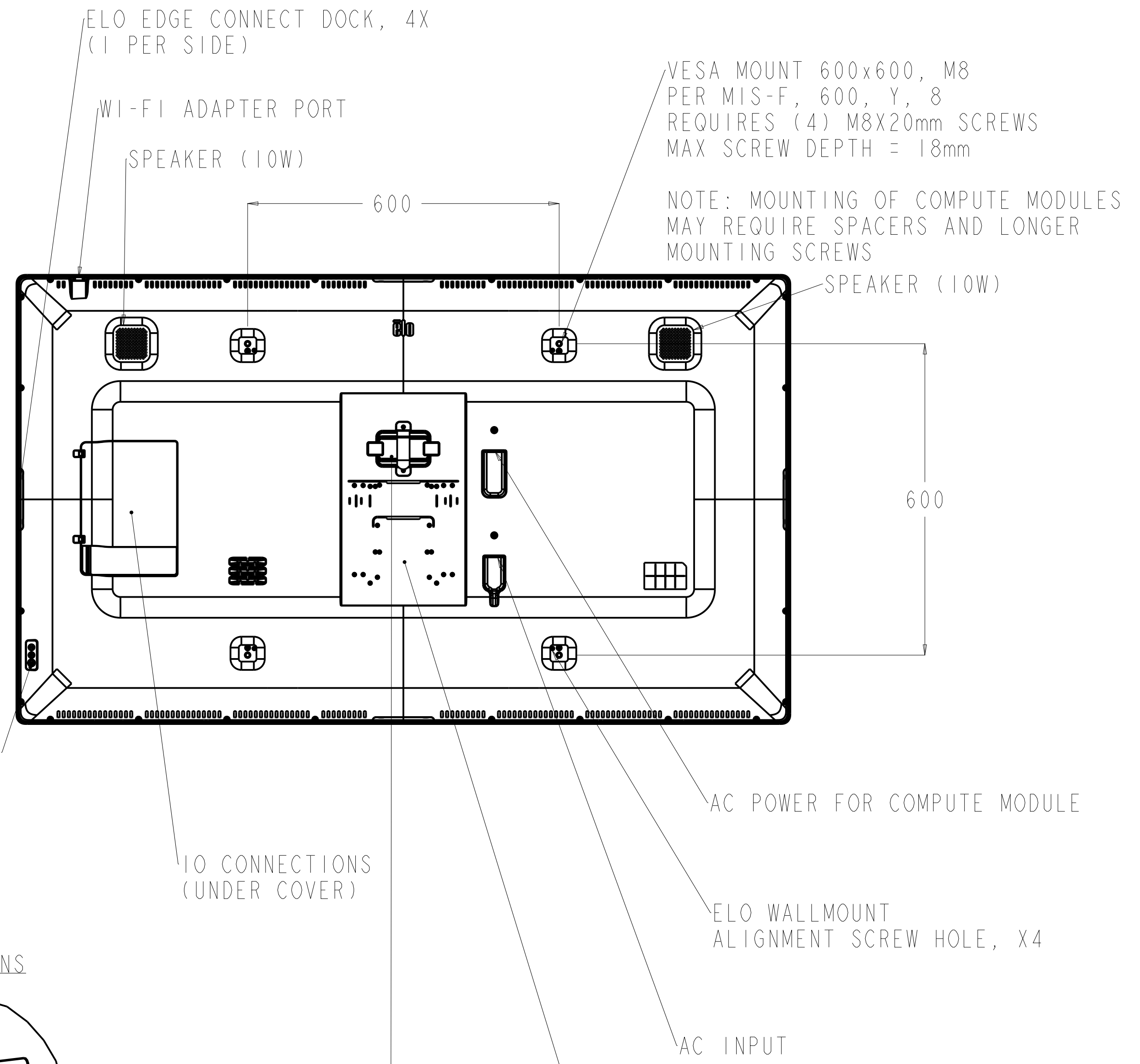
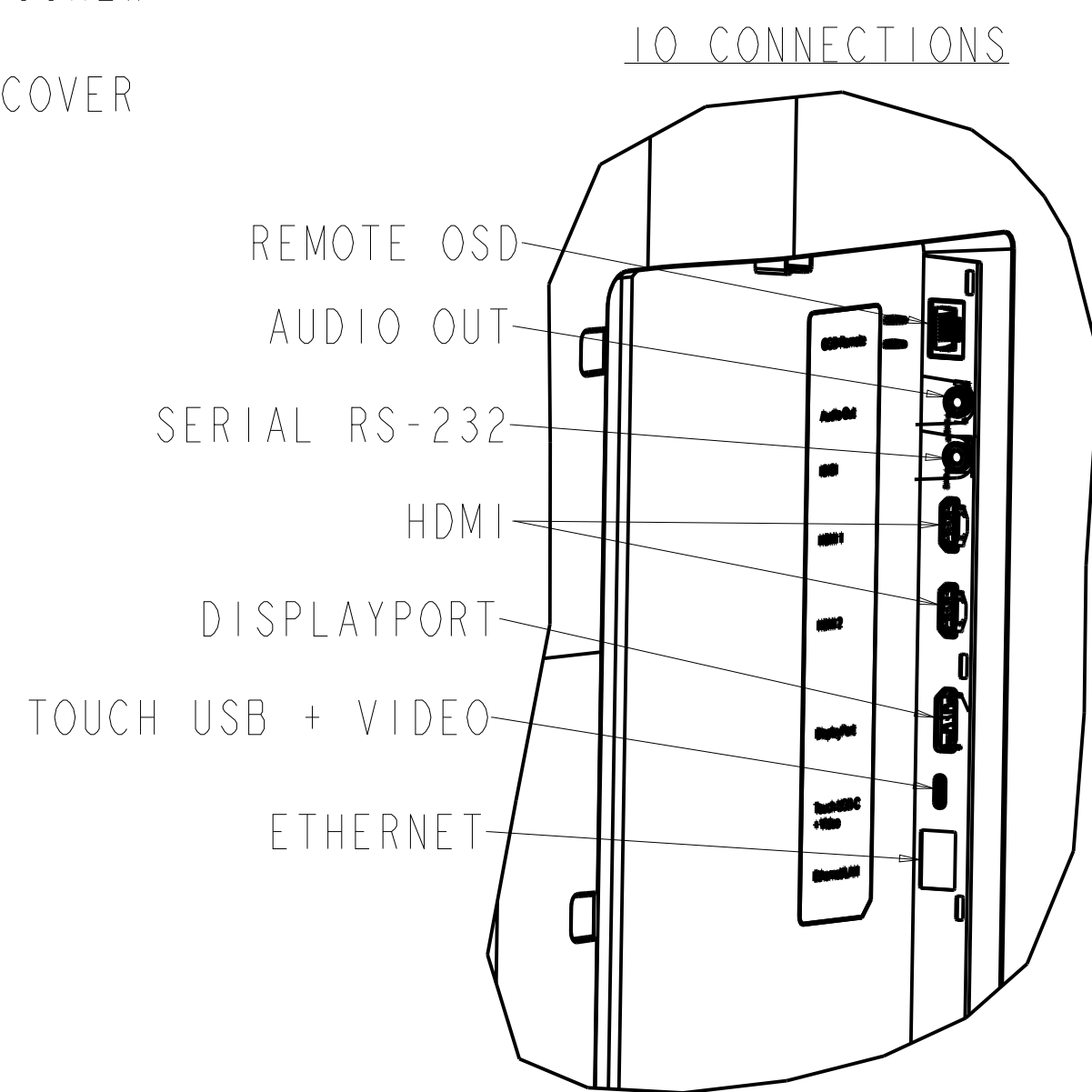
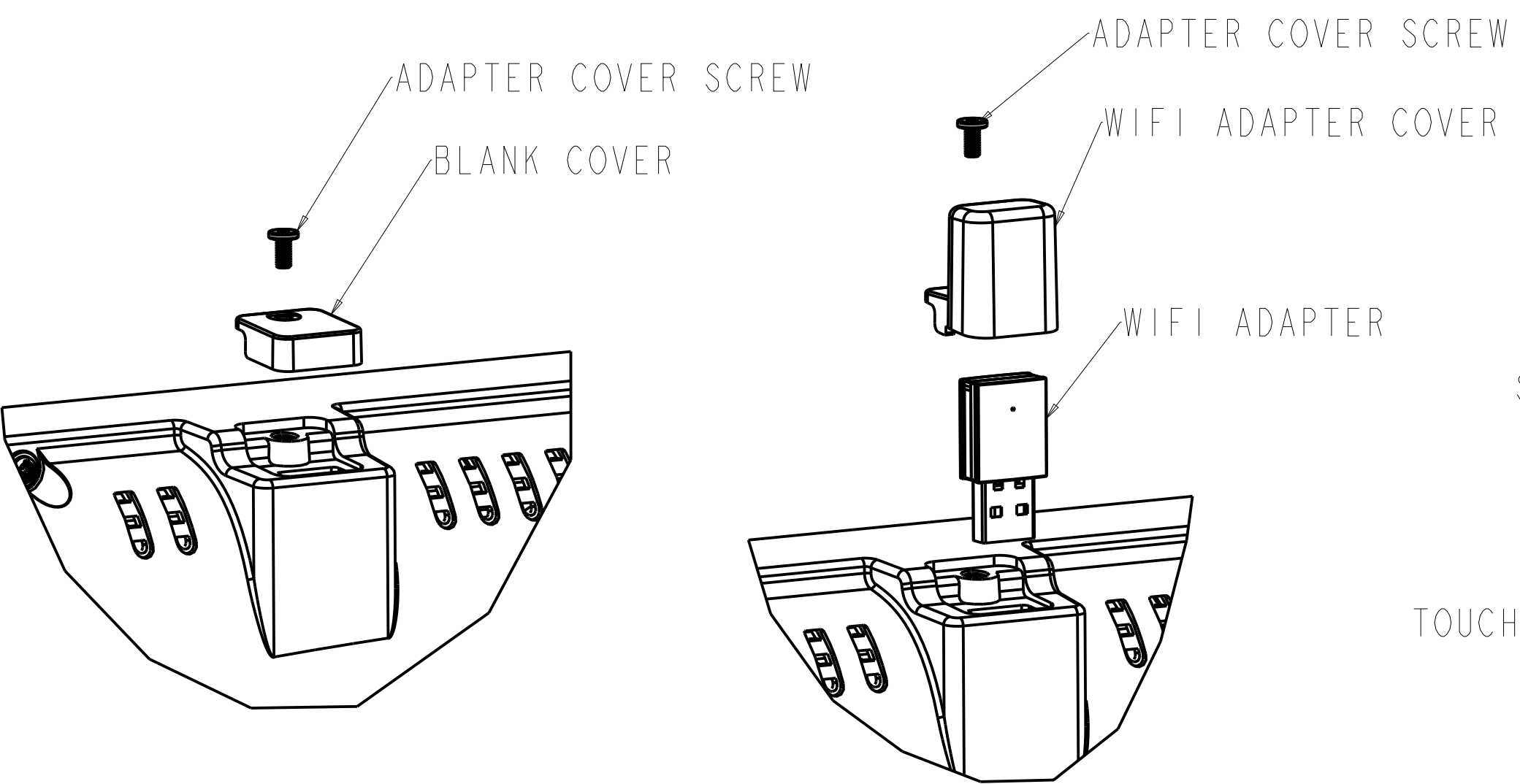
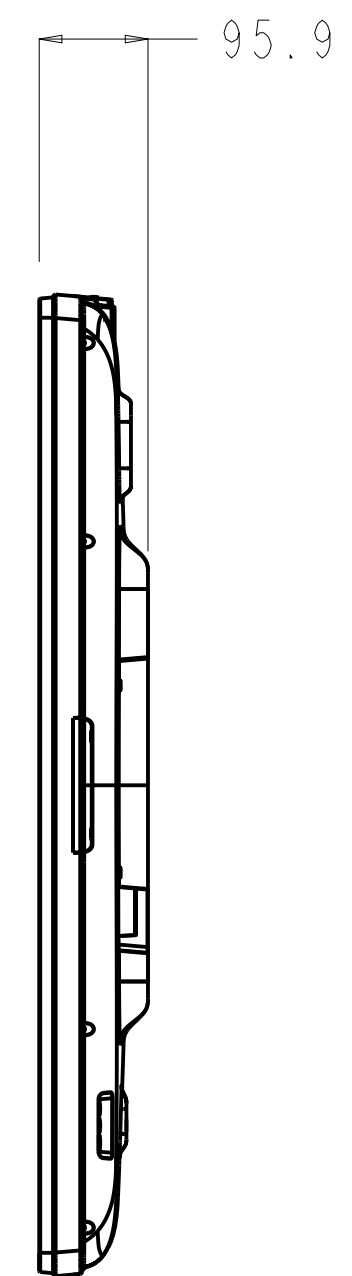
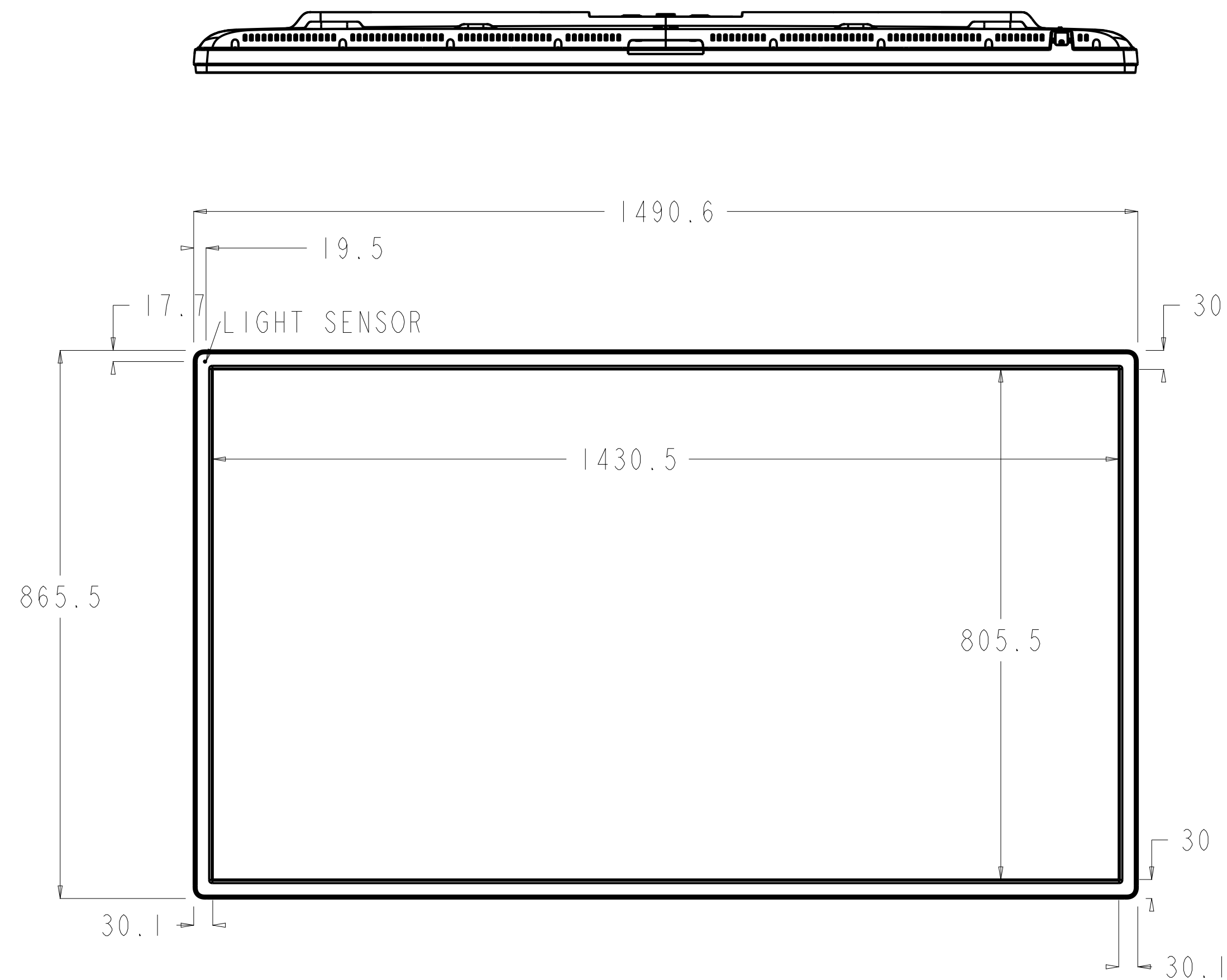


DIMENSIONAL DRAWING: ET6554L

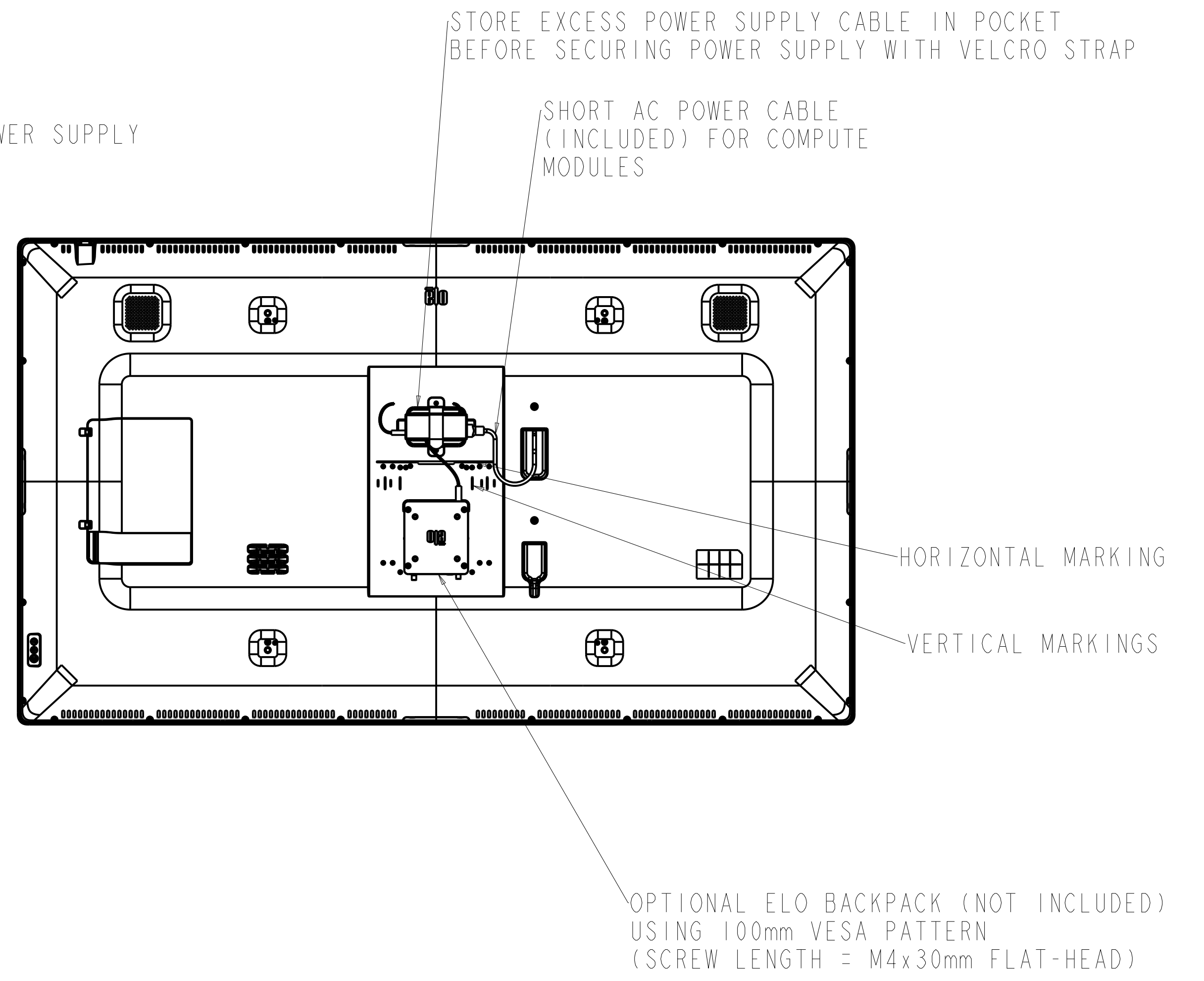
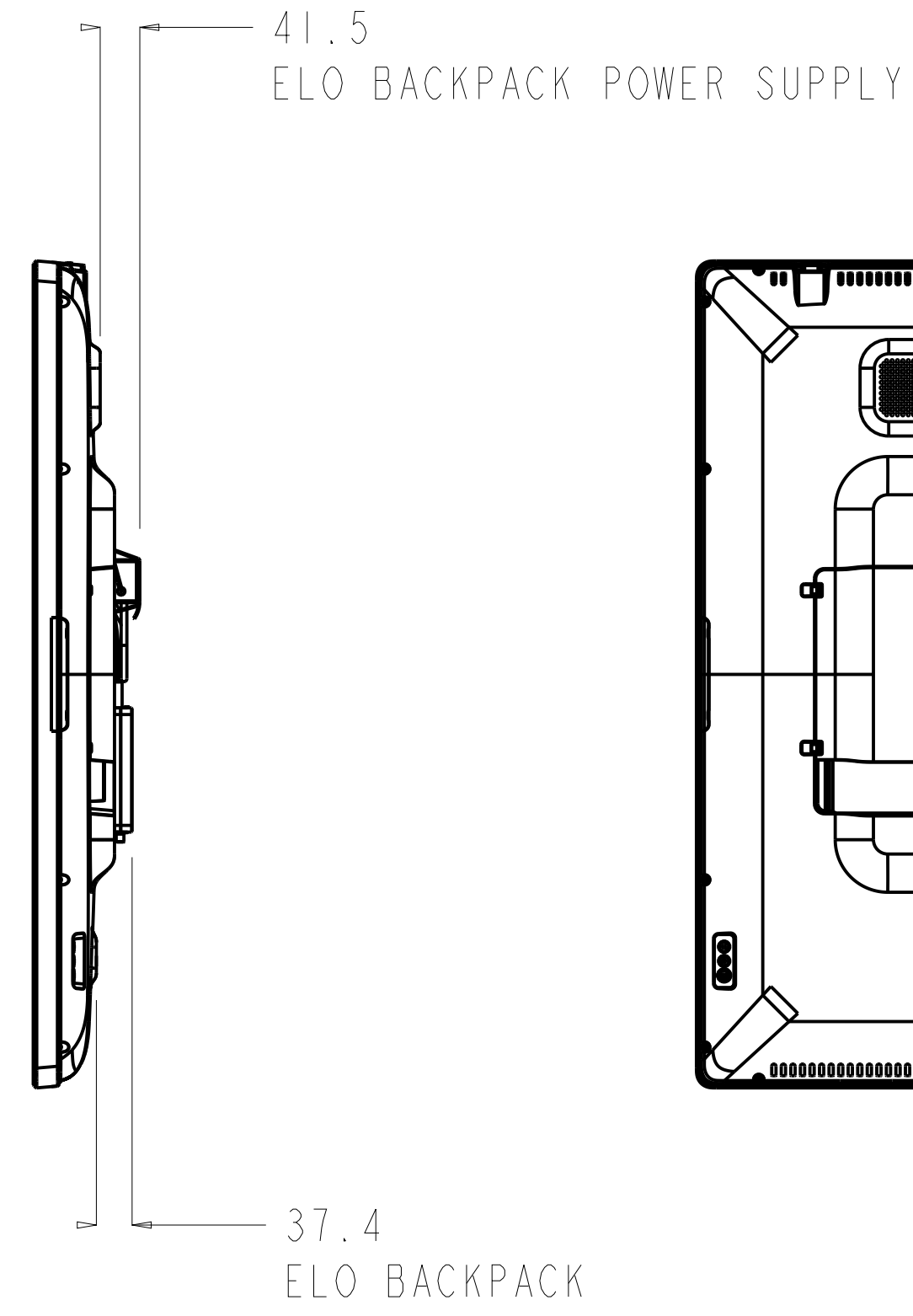
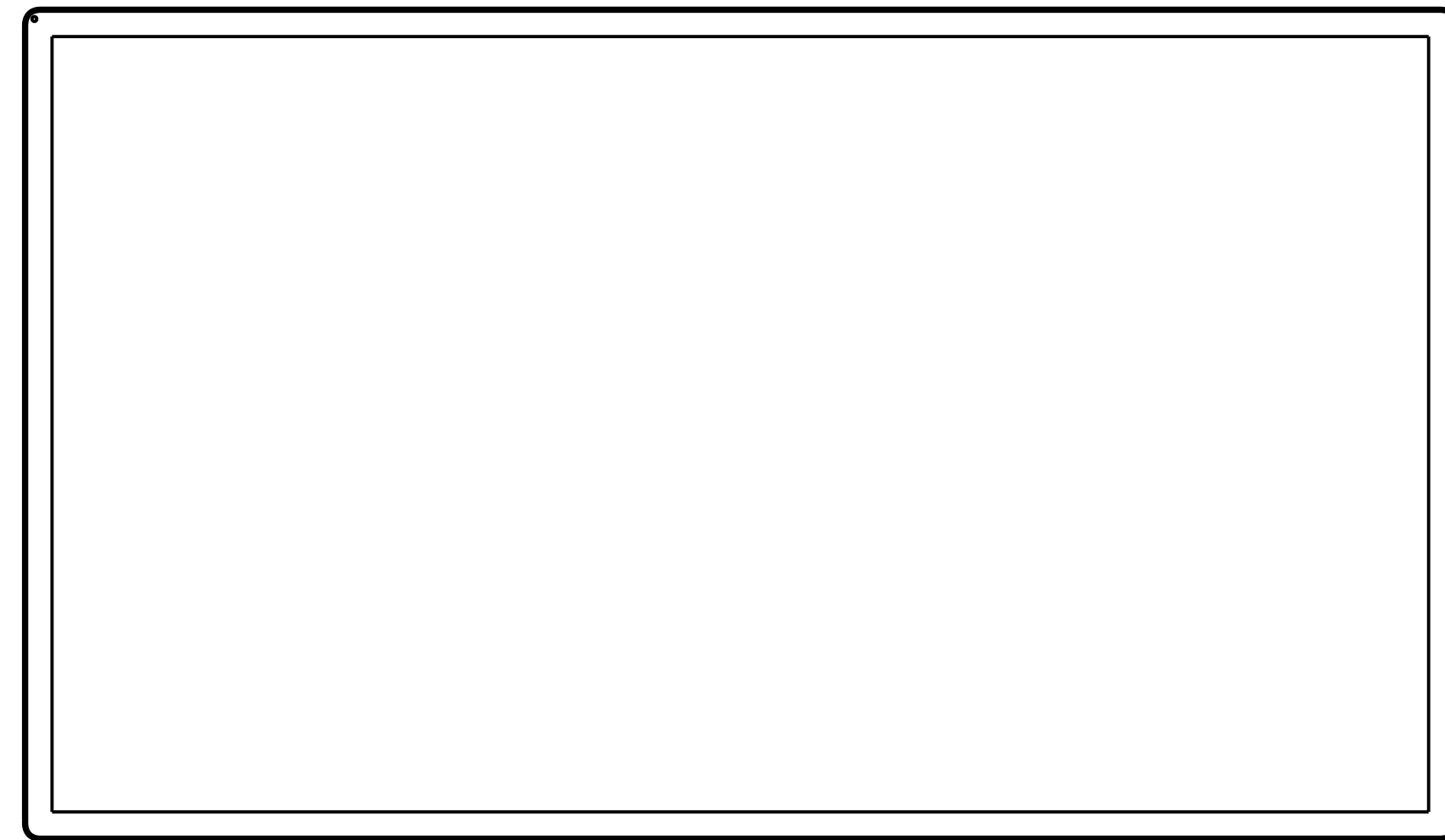


COMPUTE MOUNTING AREA SUPPORTS:  
 100mm VESA PATTERN  
 ELO ANDROID BACKPACK 4.0(ESY0011)  
 BRIGHTSIGN MODELS:  
 HD4 SERIES, XD4 SERIES, XT4 SERIES  
 XD5 SERIES, HD5 SERIES, XT5 SERIES

COMPUTE MODULE  
 POWER SUPPLY STORAGE

DIMENSIONS ARE IN MILLIMETERS

### COMPUTE MODULE MOUNTING



#### BRIGHTSIGN COMPUTE MODULE MOUNTING INSTRUCTIONS:

1. ALIGN COMPUTE MODULE EDGE WITH HORIZONTAL MARKING
2. CENTER COMPUTE MODULE USING VERTICAL MARKINGS
3. INSTALL M4 SCREWS THROUGH DEVICE (MAX SCREW DEPTH INTO ET6554L = 5mm)
4. CONNECT POWER AND I/O CABLES FROM COMPUTER TO 6554L